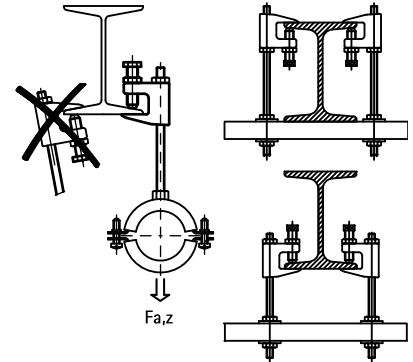


BIS Beam Clamp Model C (BUP1000)

(K 20 03)

for flange



Features and benefits

- for a solid fixing to steel construction without the need for welding or drilling
- according to VdS-regulations an additional safety strap should be used when supporting pipes above DN65
- surface protection:
 - product is part of the BIS UltraProtect® 1000 system
 - suitable for in- and outdoor applications
 - stands min. 1,000 hours salt spray test (max. 5% red rust) according to ISO 9227



Part No.	Code	A (mm)	Model	R	G	B (mm)	H (mm)	SW1 (mm)	F _{a,z} (N)	F _{a,z} (kg)	FM	VdS	Pack 1
6008008	TK10-M8	≤23	BIS Beam Clamp model C	M8	M10	50	45	17	2,500	250	-	VdS	50
6008010	TKN10-M10	≤20	BIS Beam Clamp model C	M10	M10	44	42	17	2,500	250	FM	VdS	50
6008910	TKN10-D11	≤20	BIS Beam Clamp model C	∅ 11 mm	M10	44	42	17	2,500	250	FM	VdS	50

Tighten the set screw with hand and apply a further 1/2 turn with a spanner. Tighten counter nut with hand and apply a further 1/8 turn with a spanner. Certificates available on request.

