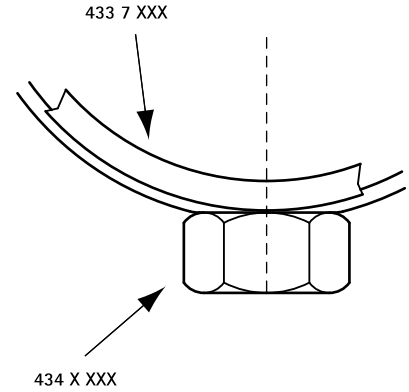


# BIS 434 Clamp for PE-Pipe

(B 35 25)

for PE-pipes 25 - 315 mm

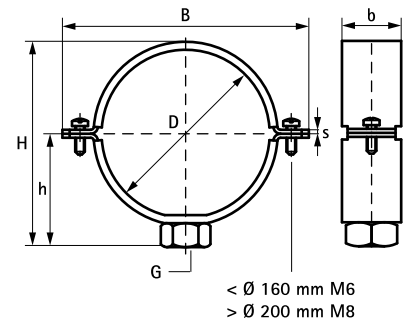
M10 - G1/2" - G1"



## Features and benefits

- two-screw clamp
- as guiding clamp for PE-Pipe
- for rigid fixing point fastening it is necessary to use metal clamp liners (Part No. 4337XXX)
- screws secured with anti-loss washer
- material: steel
- zinc plated

Part No.	D (mm)	DN	G	B (mm)	H (mm)	h (mm)	b x s (mm)	F <sub>a,z</sub> (N)	Pack 1
4343025	25	-	M10	66	48	27	30 x 3.0	1,100	50
4343032	32	25	M10	75	55	35	30 x 3.0	1,100	50
4343040	40	32	M10	82	63	37	30 x 3.0	1,100	50
4343050	50	40	M10	92	73	42	30 x 3.0	1,100	50
4343056	56	50	M10	98	79	45	30 x 3.0	1,100	50
4343063	63	57	M10	105	86	48	30 x 3.0	1,100	50
4343075	75	70	M10	117	98	54	30 x 3.0	1,100	25
4343080	82	-	M10	122	102	58	30 x 3.0	1,100	25
4343090	90	80	M10	132	113	62	30 x 3.0	1,100	25
4343100	102	-	M10	142	122	67	30 x 3.0	1,100	25
4343110	110	100	M10	152	133	72	30 x 3.0	1,100	25
4343125	125	125	M10	167	148	79	30 x 3.0	1,100	25
4343160	160	150	M10	202	185	98	30 x 3.0	1,100	25
4343200	200	200	M10	278	223	117	38 x 4.0	6,200	12
4343225	225	-	M10	269	248	129	38 x 4.0	6,200	12
4343250	250	250	M10	328	273	142	38 x 4.0	6,200	8
4343315	315	315	M10	393	338	174	38 x 4.0	6,200	8



### Complementary

BIS Fixing Accessories  
BIS Fastenings  
BIS Metal Liner 434 Clamp

### Complementary

BIS Lining 434 Clamp