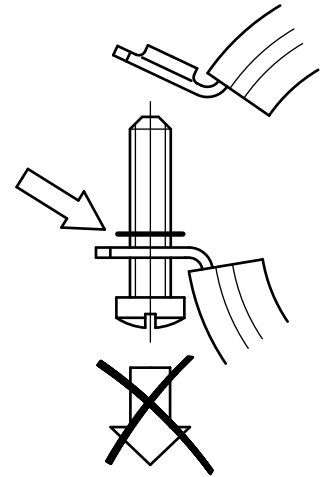


BIS 2S Clamp with Lining (M8, M8/10)

(A 05 140)

for metal pipes 15 - 220 mm

M8 - M8/10



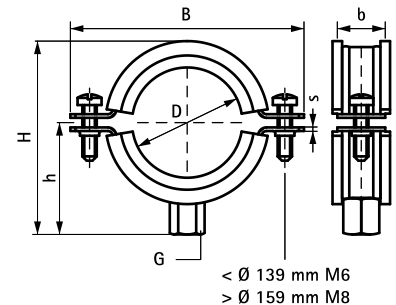
Features and benefits

- two-screw clamp
- screws secured with anti-loss washer
- also available with Triplo-nut (M8-M10-1/2")
- material: steel
- zinc plated
- noise insulating lining, EPDM rubber, black
- age resistant lining
- sound insulating lining according to DIN 4109



RAL-GZ 655/B
Cert.Nr. 2010-12

Part No.	D (mm)	D (°)	DN	G	B (mm)	H (mm)	h (mm)	b x s (mm)	F _{a,z} (N)	RAL	Pack 1
334 3 019	15 - 19	3/8	10	M8/10	58	44	29	20 x 1.25	220	RAL ¹	50
334 3 023	20 - 23	1/2	15	M8/10	63	49	32	20 x 1.25	220	RAL ¹	50
334 3 030	25 - 28	3/4	20	M8/10	68	54	34	20 x 1.25	220	RAL ¹	50
334 3 038	31 - 35	1	25	M8/10	75	61	38	20 x 1.25	220	RAL ¹	50
334 3 043	40 - 43	1 1/4	32	M8/10	83	69	41	20 x 1.25	220	RAL ¹	50
334 3 049	44 - 49	1 1/2	40	M8/10	96	78	45	20 x 1.25	220	RAL ¹	50
334 3 056	50 - 56	-	-	M8/10	97	84	49	20 x 1.25	220	RAL ¹	50
334 3 063	57 - 63	2	50	M8/10	102	88	51	20 x 1.50	220	RAL ¹	50
334 3 064	63 - 67	-	-	M8/10	109	94	54	20 x 1.50	220	RAL ¹	50
334 3 071	70 - 73	-	-	M8/10	117	104	59	20 x 1.50	220	RAL ¹	50
334 3 078	74 - 80	2 1/2	65	M8/10	122	108	61	20 x 1.50	220	RAL ¹	50
334 3 086	81 - 86	-	-	M8/10	129	116	65	20 x 2.00	430	RAL ¹	50
334 3 092	83 - 91	3	80	M8/10	136	122	68	20 x 2.00	430	RAL ¹	50
334 3 106	101 - 106	-	-	M8/10	152	135	74	23 x 2.00	750	RAL ¹	50
334 3 116	108 - 114	4	100	M8/10	157	144	79	23 x 2.00	750	RAL ¹	25
334 3 130	125 - 132	-	-	M8/10	176	162	88	23 x 2.00	750	RAL ¹	25
334 3 135	131 - 135	-	-	M8/10	178	165	90	23 x 2.00	750	RAL ¹	25
334 3 141	136 - 139	5	125	M8/10	182	168	91	23 x 2.00	750	RAL ¹	25
334 3 168	159 - 168	6	150	M8/10	232	202	107	25 x 3.00	1,220	RAL ¹	15
334 3 200	193 - 200	-	-	M8/10	268	238	125	25 x 3.00	1,220	RAL ¹	15
334 3 212	210 - 212	-	-	M8/10	275	243	128	25 x 3.00	1,220	RAL ¹	15
334 3 220	216 - 220	8	200	M8/10	283	251	132	25 x 3.00	1,220	RAL ¹	15



RAL¹ = tested, certified and monitored by a third party according to RAL-GZ 655/B.

For detailed technical information about our RAL marked products, please see the RAL datasheet in our web catalogue.

Complementary

- BIS RapidRail® Fixing System
- BIS Fixing Accessories
- BIS Fastenings