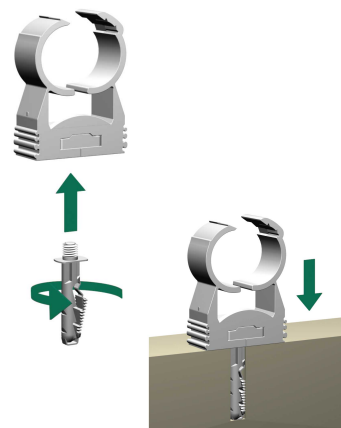


starQuick® Push Plug

accessories BIS starQuick® Pipe Clamps with Nut

(C 05 75)



Features and Benefits

- for fixing of a starQuick® Clamp or other clamp with thread connection M6
- pre-drill hole Ø 6 mm and insert plug
- material: modified PA6 (polyamide), grey (according to RAL 7035)
- resistant to UV, ageing, oil and petrol
- no corrosion, recyclable, halogen free
- temperature resistance from approx. -40 °C to approx. +90 °C (constant); short to approx. +130 °C

Part No.	Pack 1	Pack 2
6101063	50	500

