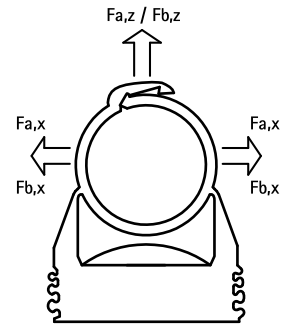
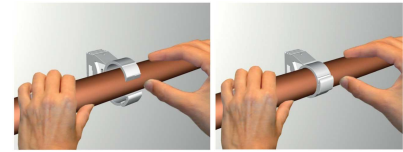


# starQuick® Clamp (White)

(C 05 10)

to fix pipes for electrical and mechanical installations to wall, floor or ceiling 10 - 65 mm



## Features and Benefits

- one-part clamp
- clamp closes by applying pressure to the pipe
- for outdoor use and installations in swimming pool environments, chemical factories, zinc factories, etc.
- due to a patented profile it is possible to tack several clamps to each other
- material: modified PA6 (polyamide), white (according to RAL 9003)
- resistant to UV, ageing, oil and petrol
- no corrosion, recyclable, halogen free
- temperature resistance from approx. -40 °C to approx. +90 °C (constant); short to approx. +130 °C

**kiwa**

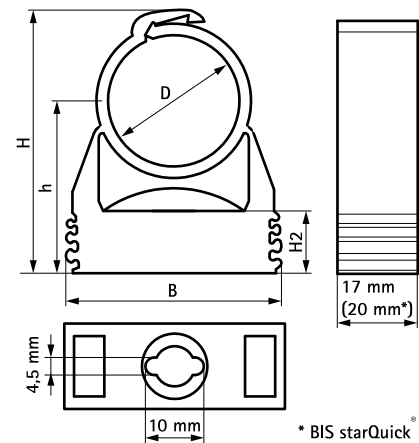


Part No.	D	D	DN	Type	B	H	h	H2	F <sub>a,z</sub>	F <sub>b,z</sub>	KIWA	UPC	Pack 1	Pack 2
	(mm)	(°)			(mm)	(mm)	(mm)	(mm)	(N)	(N)				
0855010	10 - 12	1/8	6	SQ-10	29	32	23	10.5	170	500	-	UPC	100	1,200
0855012	12 - 14	1/4	8	SQ-12	29	34	23	10.5	180	550	KIWA	UPC	100	1,200
0855015	14 - 16	-	-	SQ-15	29	36	24	10.5	200	600	KIWA	UPC	100	1,200
0855018	16 - 20	3/8	10	SQ-17	29	40	26	10.5	230	700	KIWA	UPC	100	800
0855022	20 - 23	1/2	15	SQ-20	29	44	27	10.5	270	800	KIWA	UPC	50	600
0855028	24 - 28	3/4	20	SQ-25	40	50	31	10.5	280	850	KIWA	UPC	50	600
0855031	28 - 32	-	-	SQ-28	40	53	32	10.5	300	900	KIWA	UPC	50	400
0855035	32 - 35	1	25	SQ-32	43	57	34	10.5	330	1,000	KIWA	UPC	50	400
0855038	35 - 40	-	-	SQ-36	47	66	41	12.0	370	1,100	KIWA	UPC	25	300
0855042	40 - 44	1 1/4	32	SQ-40	52	70	42	12.0	400	1,200	KIWA	UPC	25	200
0855050	44 - 50	-	-	SQ-47	57	76	45	12.0	430	1,300	-	UPC	25	200
0855054	48 - 55	1 1/2	40	SQ-51	63	81	47	12.0	470	1,400	-	UPC	15	180
0855063	59 - 65	2	50	SQ-59	74	94	55	12.0	500	1,500	-	UPC	15	180

$$F_{a,x} = F_{a,z} / F_{b,x} = F_{b,z}$$

Maximum allowed load at a temperature of +21 °C (+70 °F) and fixing with M6 BIS starQuick® nut + M6 steel tredded rod.

The values are recommended values and based on our nowadays technical knowledge, experience and statements in the literature as well as testing under laboratory circumstances. They do not relieve the user of own testing of the end product due to the big number of parameter of influence in the mounting process and the application. A legal confirmed assurance of properties or the suitability for a specific application cannot be based on our specifications.



\* BIS starQuick® Ø 59 - 65 mm

## Complementary

- starQuick® Duo Wall Plate
- starQuick® Hammer-in Screw
- starQuick® Fixing Nut

## Alternative

starQuick® Clamp (Grey)