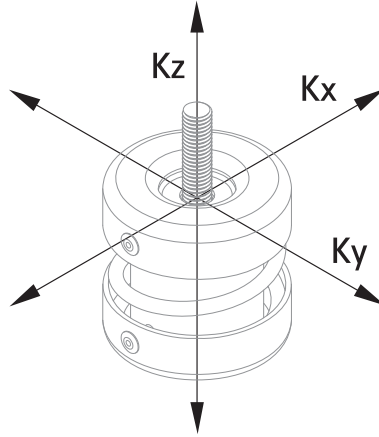


Walraven VibraTek® MS-M Spring Mount

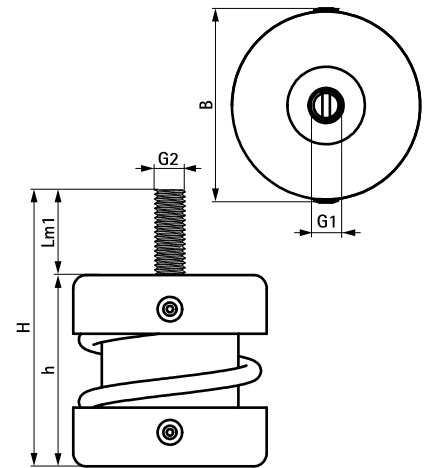
(L2 05 03)

compact spring isolator for light equipment



Features and Benefits

- low-rise spring isolator with M8 external thread for light equipment or tight spaces
- recommended for machinery with working speeds above 1000 rpm
- Technical Data
 - average ratio $K_x / K_z = K_y / K_z = 1.3$
 - working temperature range -90 °C till 150 °C
- steel frame attached to spring mechanically with metal rivets
- zinc plated



Part No.	B (mm)	H (mm)	h (mm)	G1	G2	Lm1 (mm)	Min. Load (N)	Max. Load (N)	Min. Optimal Load (N)	Max. Optimal Load (N)	Max. Deflection (mm)	Pack 1
2800200150	Ø 51	73	50.5	M8	M8	22.5	25	150	30	140	12.0	50
2800200250	Ø 51	73	50.5	M8	M8	22.5	40	250	50	230	12.0	50
2800200500	Ø 51	73	50.5	M8	M8	22.5	80	500	100	450	12.0	50
2800200750	Ø 51	73	50.5	M8	M8	22.5	125	750	150	680	12.0	50
2800201000	Ø 51	73	50.5	M8	M8	22.5	125	1,000	200	980	12.0	50

See Product Data Sheet for further technical information.