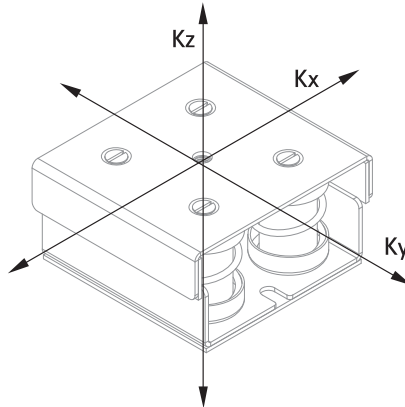


Walraven VibraTek® MS-4 Spring Mount

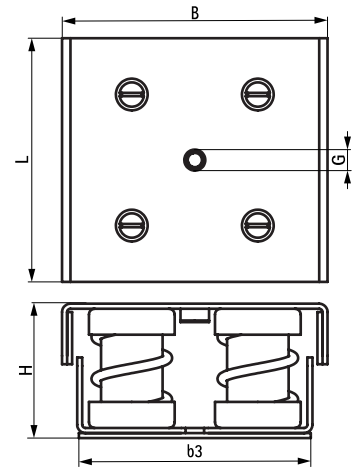
(L2 05 15)

high performance spring isolator for medium to heavy equipment



Features and Benefits

- recommended for equipment with low working speeds, from 600 rpm and above
- epoxy powder-coated base, caps and springs provide increased resistance to corrosion
- flexible internal filler prevents debris and solid elements entering and damaging the spring under load
- Technical Data
 - average ratio $K_x / K_z = K_y / K_z = 2.0$
 - working temperature range -90 °C till 150 °C
- ribs in the metal base provide increased stiffness
- slot holes facilitate positioning and anchoring to the base material



| Part No. | G | L | B | b3 | H | Min. Load (N) | Max. Load (N) | Min. Optimal Load (N) | Max. Optimal Load (N) | Max. Deflection (mm) | Pack 1 |
|------------|-----|--------|-----|-----|----|------------------|------------------|--------------------------|--------------------------|-------------------------|--------|
| 2800501000 | M10 | 145 mm | 158 | 140 | 80 | 100 | 1,000 | 200 | 900 | 23.0 | 5 |
| 2800501500 | M10 | 145 mm | 158 | 140 | 80 | 130 | 1,500 | 260 | 1,350 | 23.0 | 5 |
| 2800502000 | M10 | 145 mm | 158 | 140 | 80 | 200 | 2,000 | 400 | 1,800 | 23.0 | 5 |
| 2800503000 | M10 | 145 mm | 158 | 140 | 80 | 300 | 3,000 | 700 | 2,700 | 23.0 | 5 |
| 2800504000 | M10 | 145 mm | 158 | 140 | 80 | 400 | 4,000 | 800 | 3,600 | 23.0 | 5 |
| 2800505000 | M10 | 145 mm | 158 | 140 | 80 | 500 | 5,000 | 1,000 | 4,500 | 23.0 | 5 |

See Product Data Sheet for further technical information.