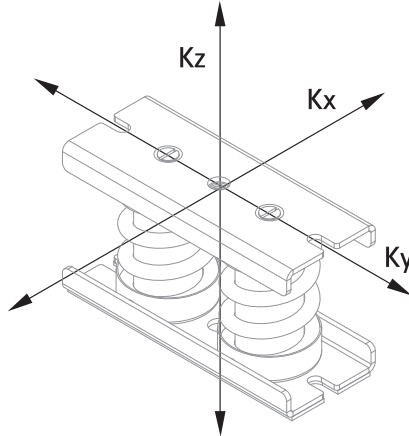


# Walraven VibraTek® MS-2X Spring Mount

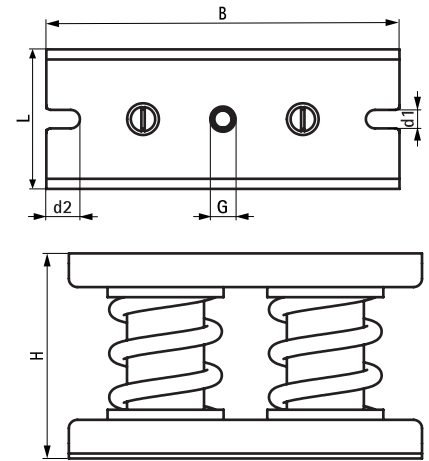
(L2 05 12)

high performance spring isolator for heavy equipment



## Features and Benefits

- recommended for equipment with low working speeds, from 600 rpm and above
- epoxy powder-coated base, caps and springs provide increased resistance to corrosion
- flexible internal filler prevents debris and solid elements entering and damaging the spring under load
- Technical Data
  - ratio  $K_x / K_z = 0.98$
  - ratio  $K_y / K_z = 1.4$
- working temperature range -90 °C till 150 °C
- ribs in the metal base provide increased stiffness
- slot holes facilitate positioning and anchoring to the base material



Part No.	G	L	B (mm)	H (mm)	d1 (mm)	d2 (mm)	Min. Load (N)	Max. Load (N)	Min. Optimal Load (N)	Max. Optimal Load (N)	Max. Deflection (mm)	Pack 1
2802003000	M12	83 mm	210	122	11	20	300	3,000	600	2,760	25.0	5
2802004000	M12	83 mm	210	122	11	20	400	4,000	800	3,680	25.0	5
2802006000	M12	83 mm	210	122	11	20	600	6,000	1,200	5,520	25.0	5
2802008000	M12	83 mm	210	122	11	20	800	8,000	1,600	7,360	25.0	5
2802010000	M12	83 mm	210	122	11	20	1,000	10,000	2,000	9,200	25.0	5
2802012000	M12	83 mm	210	122	11	20	1,200	12,000	2,400	11,040	25.0	5

See Product Data Sheet for further technical information.