

# Walraven VibraTek® MS-1 Spring Mount

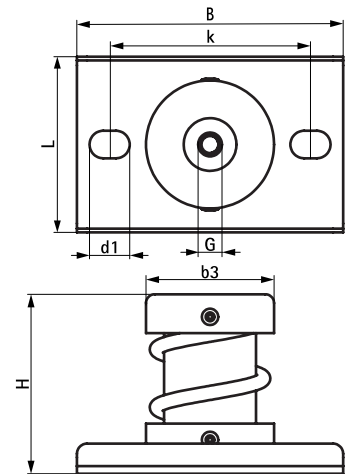
(L2 05 06)

high performance spring isolator for light equipment



## Features and Benefits

- recommended for equipment with low working speeds, from 700 RPM and above
- epoxy powder-coated base, caps and springs provide increased resistance to corrosion
- Technical Data
  - average ratio  $K_x / K_z = K_y / K_z = 1.0$
  - working temperature range -90 °C till 150 °C
- ribs in the metal base provide increased stiffness
- slot holes facilitate positioning and anchoring to the base material



Part No.	G	L	B	b3	H	d1	k	Min. Load	Max. Load	Min. Optimal Load	Max. Optimal Load	Max. Deflection	Pack 1
			(mm)	(mm)	(mm)	(mm)	(mm)	(N)	(N)	(N)	(N)	(mm)	
2800300050	M8	70 mm	106	Ø 51	71.5	16 x 11	80	5	50	10 - 45	45	23.0	30
2800300150	M8	70 mm	106	Ø 51	71.5	16 x 11	80	20	150	30 - 140	140	23.0	30
2800300250	M8	70 mm	106	Ø 51	71.5	16 x 11	80	30	250	50 - 230	230	23.0	30
2800300500	M8	70 mm	106	Ø 51	71.5	16 x 11	80	50	500	100 - 460	460	23.0	30
2800300750	M8	70 mm	106	Ø 51	71.5	16 x 11	80	80	750	150 - 690	690	23.0	30
2800301000	M8	70 mm	106	Ø 51	71.5	16 x 11	80	100	1000	200 - 920	920	23.0	30

See Product Data Sheet for further technical information.