

Walraven Strut Slide Nut (hdg)

(H 24 25)

fixing to Strut rail

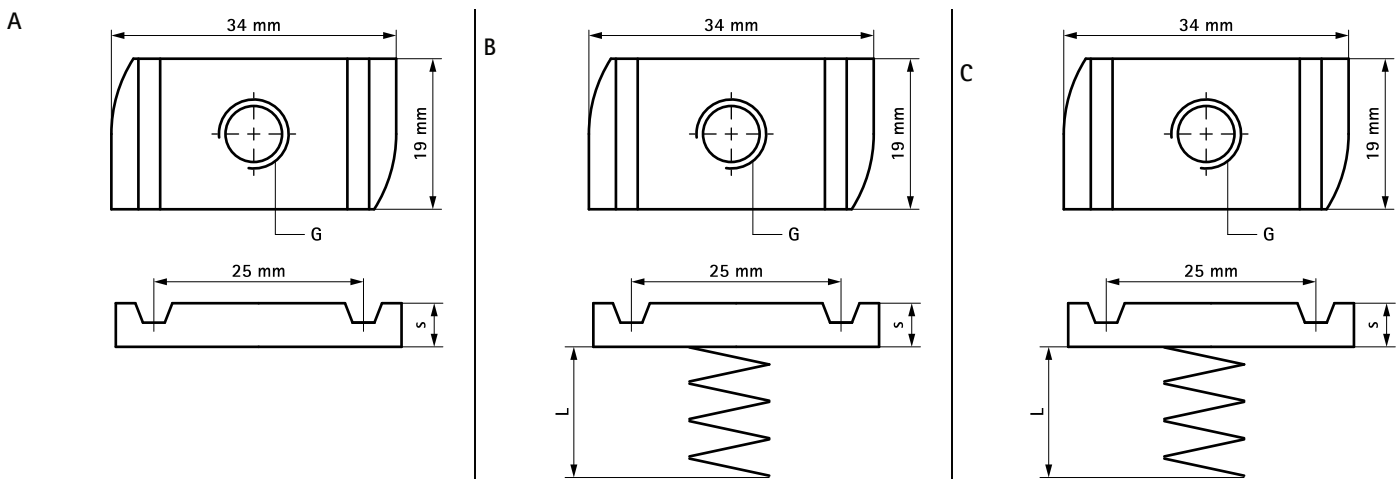


Features and Benefits

- material: slide nut made of steel 1.0332; ■ hot dip galvanized spring made of spring steel DIN17223 (class A)
- tested for fire safety

Part No.	G	L	s (mm)	For Rail	F _{a,z} (N)	F _{a,x} (N)	Pack 1	Pack 2
A 6518006	M6	-	5.0	Strut	2,660	950	100	600
A 6518008	M8	-	6.0	Strut	4,500	2,200	100	600
A 6518010	M10	-	8.0	Strut	5,000	2,550	100	600
A 6518012	M12	-	9.0	Strut	5,000	2,950	100	600
B 6518106	M6	13 mm	5.0	Strut 41x21	2,660	950	100	600
B 6518108	M8	13 mm	6.0	Strut 41x21	4,500	2,200	100	600
B 6518110	M10	13 mm	8.0	Strut 41x21	5,000	2,550	100	600
B 6518112	M12	13 mm	9.0	Strut 41x21	5,000	2,950	100	600
C 6518206	M6	33 mm	5.0	Strut 41x41	2,660	950	100	600
C 6518208	M8	33 mm	6.0	Strut 41x41	4,500	2,200	100	600
C 6518210	M10	33 mm	8.0	Strut 41x41	5,000	2,550	100	600
C 6518212	M12	33 mm	9.0	Strut 41x41	5,000	2,950	100	600

M10 and above tested for fire safety.
 Tested values in combination with BIS RapidStrut® Rail 41x41x2.5mm.
 More details can be found on the Technical Datasheet.



Complementary

Walraven RapidStrut® Cantilever Arm (BUP1000)

Alternative

Walraven Strut Slide Nut (BUP1000)