

Walraven Strut Slide Nut (BUP1000)

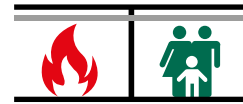
(H 24 15)

fixing to Strut rail



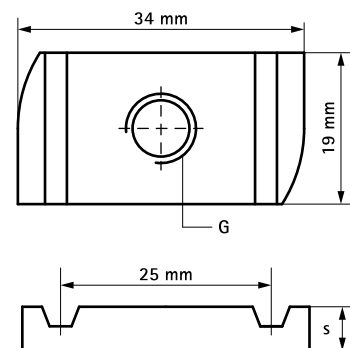
Features and Benefits

- for all types of Strut Rail
- for tight fixing of accessories (e.g. connectors) on rail
- material: steel 1.0332
- tested for fire safety
- surface protection:
 - product is part of the Walraven BIS UltraProtect® 1000 system
 - suitable for in- and outdoor applications
 - stands min. 1,000 hours salt spray test (max. 5% red rust) according to ISO 9227



Part No.	G	s (mm)	For Rail	F _{a,z} (N)	F _{a,x} (N)	Pack 1	Pack 2
65188006	M6	5.0	Strut	2,660	950	100	-
65188008	M8	6.0	Strut	4,500	2,200	100	1,000
65188010	M10	9.0	Strut	5,000	2,550	100	500
65188012	M12	9.0	Strut	5,000	2,950	100	500

M10 tested for fire safety according to EN 1366-1.
 M12 tested for fire safety according to EN 1366-1.
 Tested values in combination with BIS RapidStrut® Rail 41x41x2.5mm.
 More details can be found on the Technical Datasheet.



Complementary

Walraven RapidStrut® Cantilever Arm
 (BUP1000)
 Walraven RapidStrut® Fixing Rail DS 5
 (BUP1000)

Alternative

Walraven RapidStrut® Slide Nut