

# Walraven Strut Connector 90° (BUP1000)

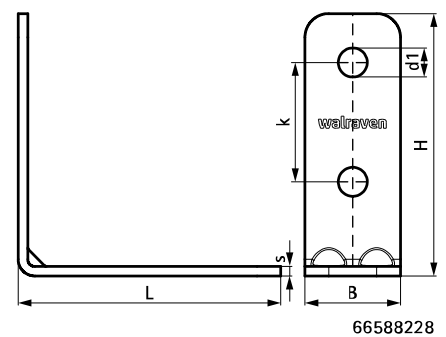
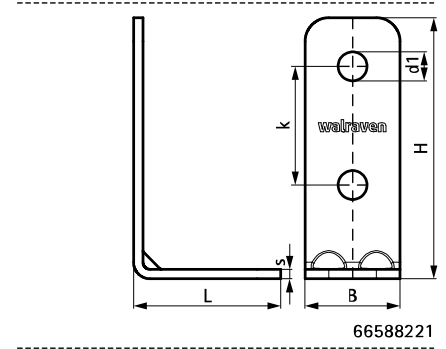
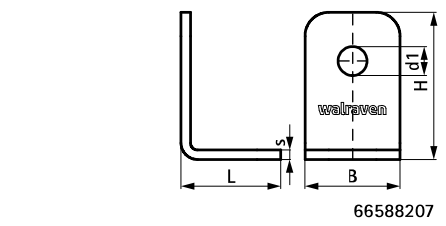
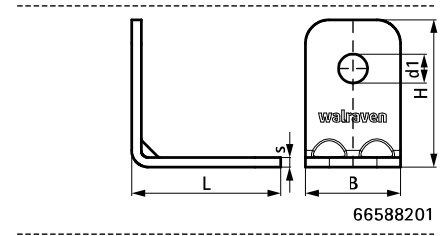
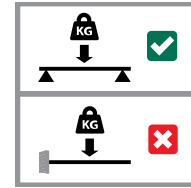
(H 28 13)



## Features and Benefits

- angle connector for all Strut rails to make fabrications
- the hole pattern is adapted to the hole pattern of Strut rails to use throughbolts
- user friendly by rounded edges
- with reinforced bend for extra strength
- material: steel 1.0242 (S250GD) + ZM310 MAC
- surface protection:
  - product is part of the Walraven BIS UltraProtect® 1000 system
  - suitable for in- and outdoor applications
  - stands min. 1,000 hours salt spray test (max. 5% red rust) according to ISO 9227

Part No.	Model	L	B (mm)	H (mm)	s (mm)	d1 (mm)	k (mm)	a (°)	Pack 1
66588207	Short / short	42 mm	40	62	4.0	Ø 12.2	-	90	50
66588221	Short / long	62 mm	40	110	4.0	Ø 12.2	50	90	25
66588228	Long / long	110 mm	40	110	4.0	Ø 12.2	50	90	25
66588201	Short / short	62 mm	40	62	4.0	Ø 12.2	-	90	50



## Complementary

- Walraven RapidStrut® Slide Nut
- Walraven Washer (Flat) (BUP1000)
- Walraven Yeti® 130 Support System

## Alternative

- Walraven RapidStrut® Rail Connector 90° G2 (BUP1000)
- Walraven Strut Connector 90° / 2D (BUP1000)
- Walraven Strut Connector 90° Rigid