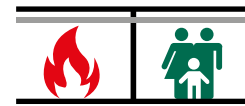
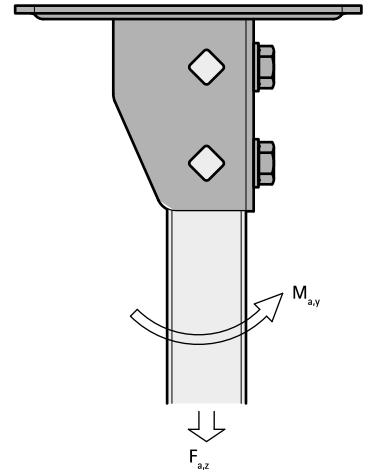


Walraven Strut Base Plate G2 (zp)

(H 12 11)

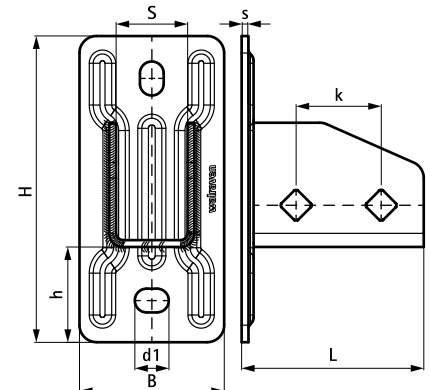


Features and Benefits

- flexible base plate for Strut rails
 - suitable for all Strut rail up to 82mm height
 - open side of rails 41x41 can be turned to all sides
 - at high loads we advise to install with throughbolts
 - material: steel
 - tested for fire safety according to EN 1366-1
- zinc plated

Part No.	L	B	H	h	s	d1	S	k	F _{a,z} (N)	F _{a,z 2} (N)	M _{a,y} (Nm)	Pack 1
66583804	107 mm	85 (mm)	180 (mm)	56 (mm)	4.0 (mm)	20 x 14 (mm)	42 (mm)	50 (mm)	3,636	5,151	485.0	10

F_{a,z}: max. allowed load in combination with 2 slide nuts M10, tightened with 40 Nm.
F_{a,z 2}: max. allowed load in combination with 2 throughbolts M10, tightened with 40 Nm.
M_{a,y}: max. moment in combination with 2 throughbolts M10, tightened with 40 Nm.



Complementary

Walraven RapidStrut® Slide Nut with Plastic Tabs (zp)
Walraven Washer (Flat)
WTB1 Throughbolt Anchor

Complementary

BIS Hexagon Head Bolt

Alternative

Walraven RapidStrut® Base Plate G2 (BUP1000)
Walraven Strut Base Plate Heavy Duty (BUP1000)