

Walraven Slide Nut 651

(G 30 10)

fixing to Walraven RapidRail®

A



B

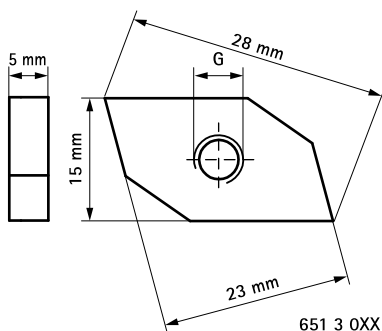


Features and Benefits

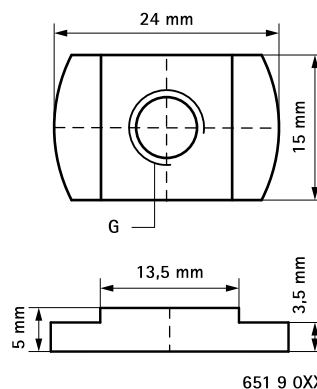
- suitable for rail 27x18, 30x15, 30x20, 30x30, 30x45, 38x40
- Part No. 65130XX: because of shape the nut fits in rail
- Part No. 65190XX: narrowing fits in slot of rail (locking against revolving in the same direction)
- material: steel
- zinc plated

Part No.	Type	G	For Rail	F _{az} (N)	Pack 1	Pack 2
A 6513006	651A	M6	27x18, 30x15, 30x20, 30x30, 30x45	-	100	2,000
A 6513008	651A	M8	27x18, 30x15, 30x20, 30x30, 30x45	-	100	2,000
A 6513010	651A	M10	27x18, 30x15, 30x20, 30x30, 30x45	-	100	2,000
B 6519006	651C	M6	27x18, 30x15, 30x20, 30x30, 30x45	3,100	50	1,000
B 6519008	651C	M8	27x18, 30x15, 30x20, 30x30, 30x45	3,100	50	2,000
B 6519010	651C	M10	27x18, 30x15, 30x20, 30x30, 30x45	3,100	50	1,000

A



B



Complementary

Walraven RapidRail® Cantilever Arm
Walraven RapidRail® Fixing Rail

Alternative

Walraven RapidRail® Slide Nut