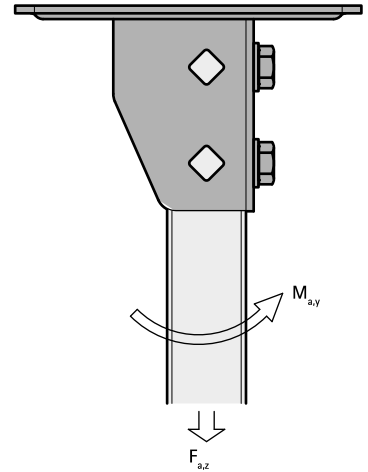


Walraven RapidStrut® Stainless Steel Base Plate G2

(M 51 05)

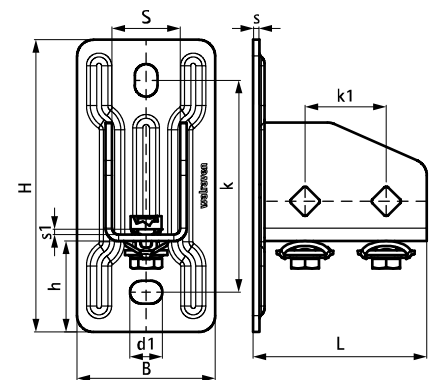


Features and Benefits

- flexible base plate for Strut rails
- suitable for all Strut rail up to 82mm height
- open side of rails 41x41 can be turned to all sides
- at high loads we advise to install with throughbolts
- timesaving with pre-assembled fasteners
- material: stainless steel 1.4401/1.4404 (A4) – EN10088, AISI 316/316L; spring(s) made of of POM (polyoxymethylene), blue (according to RAL 5015)

Part No.	L	B	H	h	s	s1	d1	S	k	k1	F _{a,z}	F _{a,z 2}	M _{a,y}	Pack 1
	(mm)	(mm)	(mm)	(mm)	(mm)	(mm)	(mm)	(mm)	(mm)	(mm)	(N)	(N)	(Nm)	
665875400	107 mm	85	180	56	4.0	5.0	20 x 14	42	130	50	3,636	5,151	485.0	10

F_{a,z}: max. allowed load in combination with 2 slide nuts M10, tightened with 40 Nm.
F_{a,z 2}: max. allowed load in combination with 2 throughbolts M10, tightened with 40 Nm.
M_{a,y}: max. moment in combination with 2 throughbolts M10, tightened with 40 Nm.



Complementary

- Walraven RapidStrut® Stainless Steel Fixing Rail
- Walraven RapidStrut® Stainless Steel Fixing Rail Double
- WTR1 Throughbolt Anchor SS