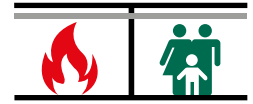
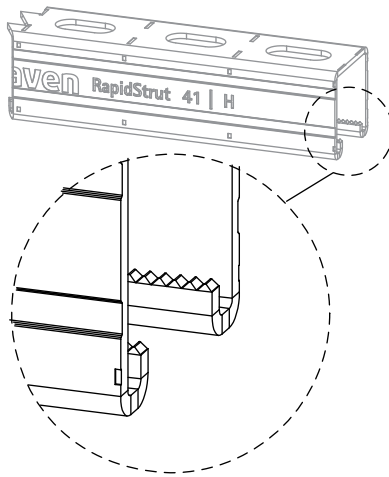


Walraven RapidStrut® Fixing Rail (BUP1000)

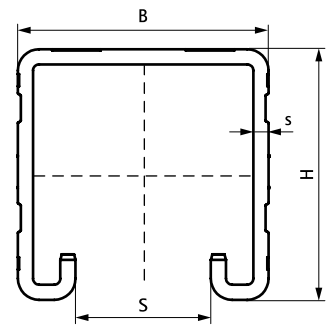
(H 04 13)

for medium weight fixing applications



Features and Benefits

- universal rail system
- corrosion protection remains intact after cutting
- distance between rail end and first hole is always equal
- inward formed flanges with serrated profile for extra grip
- with continuous smart hole pattern including round anchor holes
- with sawing marks each 50 mm on all 3 sides of the profile
- material: steel 1.0242 (S250GD)
- surface protection:
 - product is part of the Walraven BIS UltraProtect® 1000 system
 - suitable for in- and outdoor applications
 - stands min. 1,000 hours salt spray test (max. 5% red rust) according to ISO 9227
- strut 41x41x2.5 and above tested for fire safety according to EN 1363-1
- Walraven RapidStrut® channel support systems (type 21|L, 21|H, 41|L, 41|H) conform to BS 6946:1988, the British Standard Specification for metal channel cable support systems for electrical installations



Part No.	Type	L	B	H	s	S	RAL	BndS	BndL	App.
			(mm)	(mm)	(mm)	(mm)				
65018227	21 H	2 m	41	21	2.50	22	RAL ¹	20	200	m.
65018327	21 H	3 m	41	21	2.50	22	RAL ¹	30	300	m.
65018627	21 H	6 m	41	21	2.50	22	RAL ¹	60	600	m.
65018242	41 M	2 m	41	41	2.00	22	RAL ¹	20	100	m.
65018342	41 M	3 m	41	41	2.00	22	RAL ¹	30	150	m.
65018642	41 M	6 m	41	41	2.00	22	RAL ¹	60	300	m.
65018247	41 H	2 m	41	41	2.50	22	RAL ¹	20	100	m.
65018347	41 H	3 m	41	41	2.50	22	RAL ¹	30	150	m.
65018647	41 H	6 m	41	41	2.50	22	RAL ¹	60	300	m.
65018367	62 H	3 m	41	62	2.50	22	-	30	90	m.
65018667	62 H	6 m	41	62	2.50	22	-	60	180	m.
65018387	82 H	3 m	41	82	2.50	22	-	30	90	m.
65018687	82 H	6 m	41	82	2.50	22	-	60	180	m.
65018640	41 H	6 m	41	41	2.50	22	-	60	300	m. *

RAL¹ = tested, certified and monitored by a third party according to RAL-GZ 655/C.

Strut 41x41x2.5 and above tested for fire safety according to EN 1363-1.

* Unslotted

For detailed technical information about our RAL marked products, please see the RAL datasheet in our web catalogue.

For more information about the max. allowed load (F_{0,2}) please refer to the loading tables or our online datasheet 'Walraven RapidStrut® Data Sheet'.

Complementary

- Walraven RapidStrut® Slide Nut G2 (BUP1000)
- Walraven RapidStrut® Hammerfix G2 (BUP1000)
- Walraven Yeti® 130 Support System

Complementary

- Walraven Yeti® 280 Support System

Alternative

- Walraven RapidStrut® Fixing Rail DS 5 (BUP1000)