

Walraven RapidStrut® Cantilever Arm with Rail Prop

(H 08 15)

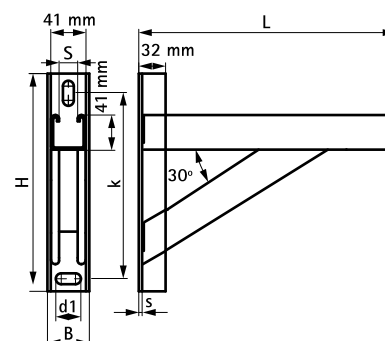
fixing to wall



Features and Benefits

- wall plate welded on Strut Profile
- CO₂ welded
- with prop
- inward formed flanges with serrated profile for extra grip
- material: steel 1.0332
- hot dip galvanized

Part No.	L	B	H	s	d1	S	k	From Rail	F _{a,z} (N)	Pack 1
6601894	600 mm	50 (mm)	350 (mm)	4.0 (mm)	23 x 13 (mm)	22 (mm)	311.5 (mm)	Strut 41x41	1,400	-



Complementary

Walraven Strut Slide Nut (hdg)