

Walraven RapidRail® Stainless Steel Cantilever Arm

(M 25 05)

fixing to wall or ceiling



6607120

6607230

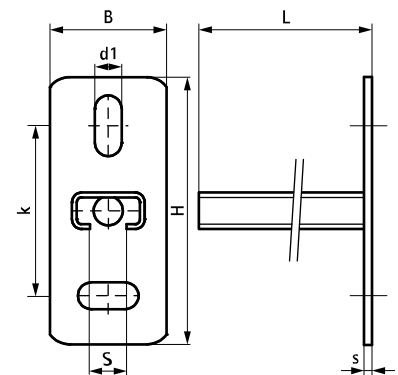
6607250

Features and Benefits

- wall plate with welded C-profile
- slots at 90° to each other to simplify fixing
- CO₂ welded
- material: stainless steel 1.4404 (AISI 316L)

Part No.	L	B (mm)	H (mm)	s1 (mm)	d1 (mm)	S (mm)	k (mm)	From Rail	Pack 1
6607120	200 mm	48	110	5.0	25 x 11	15	70	30x15	20
6607230	300 mm	48	110	5.0	25 x 11	15	70	30x30	10
6607250	500 mm	48	110	5.0	25 x 11	15	70	30x30	20

For more information about the max. allowed load ($F_{0,2}$) please refer to the loading tables or our online datasheet 'Technical Details BIS RapidRail®'.



Complementary

- BIS Stainless Steel Rail Prop
- Walraven RapidRail® Stainless Steel Slide
- Nut
- Walraven RapidRail® Stainless Steel Hammerfix