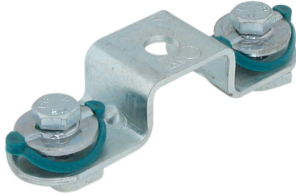


Walraven RapidRail® Cross Connector

(G 35 50)

to make Walraven RapidRail® fabrications



Features and Benefits

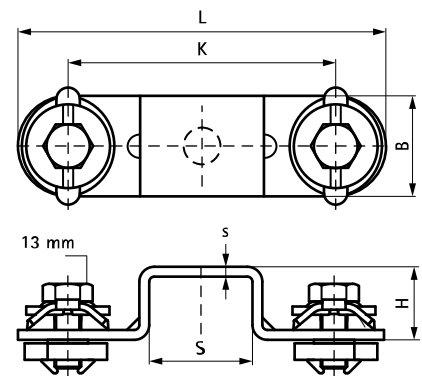
- connector with pre-assembled BIS RapidRail® Slide nut(s)
- to make rail fabrications
- ready-to-use pre-assembled for a quick fixing, and retains assembly in place before final tightening
- material: metal parts made of steel 1.0332; spring(s) made of POM (polyoxymethylene), green
- zinc plated



Part No.	L	B	H	s	S	k	For Rail	F _{a,z}	F _{a,x}	RAL	Pack 1
		(mm)	(mm)	(mm)	(mm)	(mm)		(N)	(N)		
6584150	104 mm	30	20	3.0	28	74	27x18	1,226	689	RAL ¹	25
6584151	112 mm	30	17	3.0	31	82	30x15	1,226	689	RAL ¹	25
6584152	109 mm	30	22	3.0	31	79	30x20	1,226	689	RAL ¹	25
6584153	97 mm	30	32	3.0	31	67	30x30	1,226	689	-	25
6584156	117 mm	30	42	3.0	39	87	38x40	1,226	689	-	25

RAL¹ = tested, certified and monitored by a third party according to RAL-GZ 655/D in combination with Rail 30x15, 30x30, 30x20 and 30x45.

For detailed technical information about our RAL marked products, please see the RAL datasheet in our web catalogue.



Complementary

Walraven RapidRail® Fixing Rail