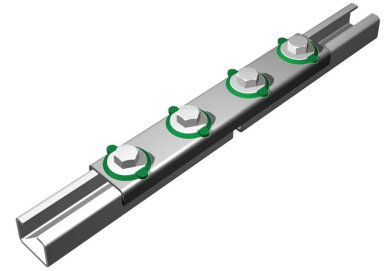
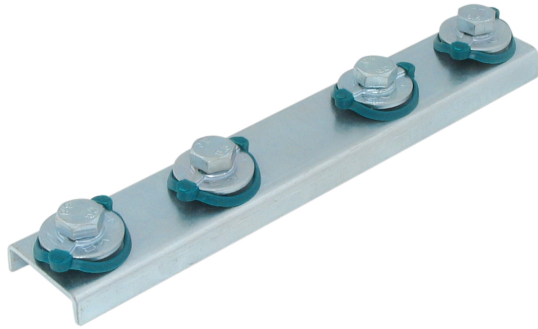


Walraven RapidRail® Connector

(G 35 35)

to make Walraven RapidRail® fabrications



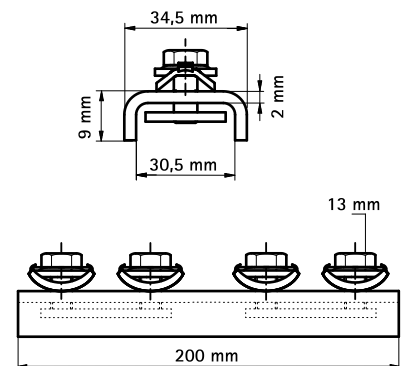
Features and Benefits

- connector with pre-assembled BIS RapidRail® Slide nut(s)
- to make rail fabrications
- suitable for rail 27x18, 30x15, 30x20, 30x30, 30x45, 38x40
- ready-to-use pre-assembled for a quick fixing, and retains assembly in place before final tightening
- material: metal parts made of steel 1.0332; spring(s) made of POM (polyoxymethylene), green
- zinc plated



RAL-GZ 655/D
Cert.Nr. 2012-08

Part No.	For Rail	F _{a,x} (N)	RAL	Pack 1
6543001	27x18, 30x15, 30x20, 30x30, 30x45, 38x40	1,547	RAL ¹	25
<i>RAL¹ = tested, certified and monitored by a third party according to RAL-GZ 655/D in combination with Rail 30x15, 30x30, 30x20 and 30x45. For detailed technical information about our RAL marked products, please see the RAL datasheet in our web catalogue.</i>				



Complementary

Walraven RapidRail® Fixing Rail