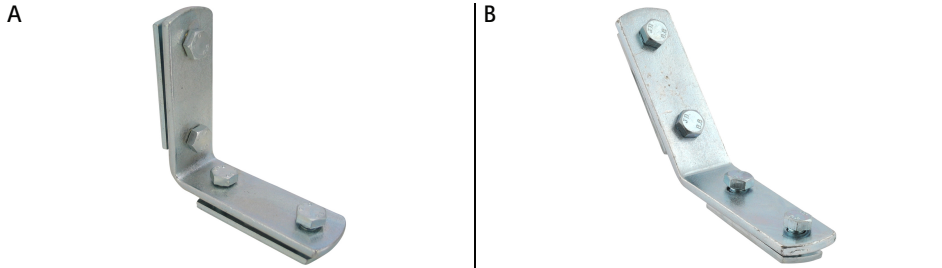


# Walraven Rail Connector with Slide Nuts

(G 35 15)

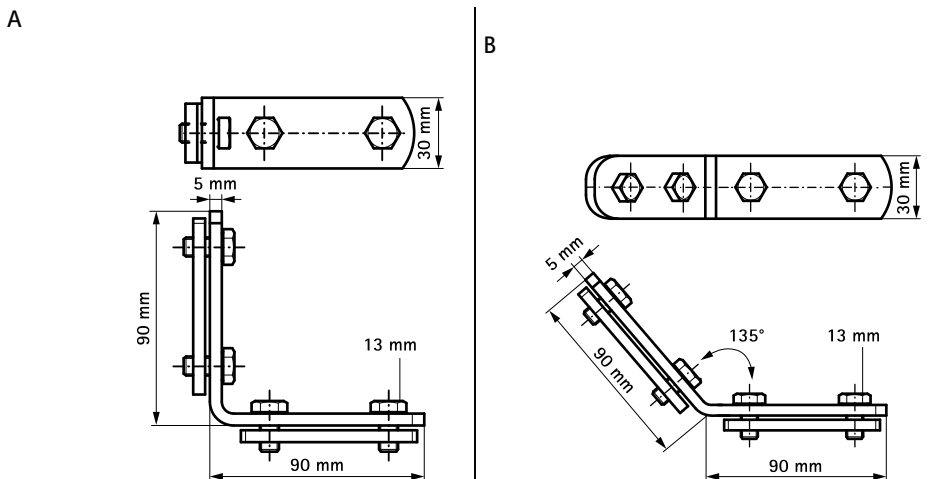
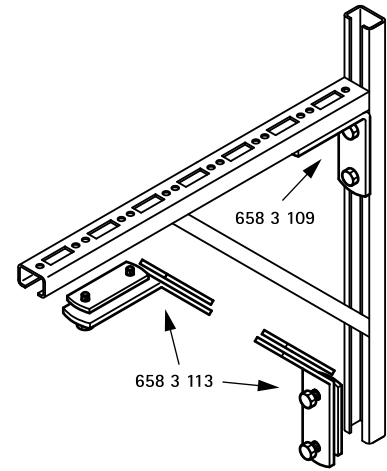
to make Walraven RapidRail® fabrications



## Features and Benefits

- to make rail fabrications
- suitable for rail 27x18, 30x15, 30x20, 30x30, 30x45, 38x40
- with pre-assembled double slide nut
- material: steel
- zinc plated

Part No.	a (°)	For Rail	Pack 1
A 6583109	90°	27x18, 30x15, 30x20, 30x30, 30x45, 38x40	25
B 6583113	135°	27x18, 30x15, 30x20, 30x30, 30x45, 38x40	25



**Complementary**  
Walraven RapidRail® Fixing Rail

**Alternative**  
Walraven RapidRail® Connector 90°