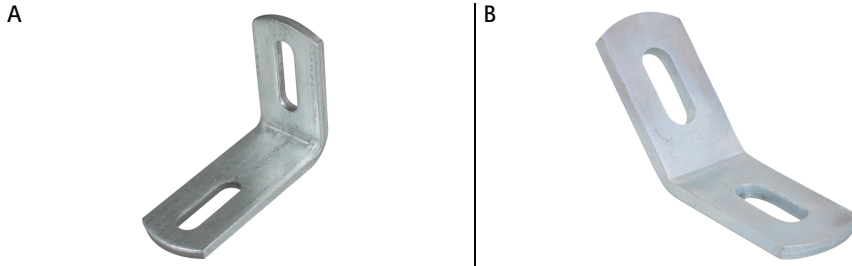


Walraven Rail Connector

(G 35 25)

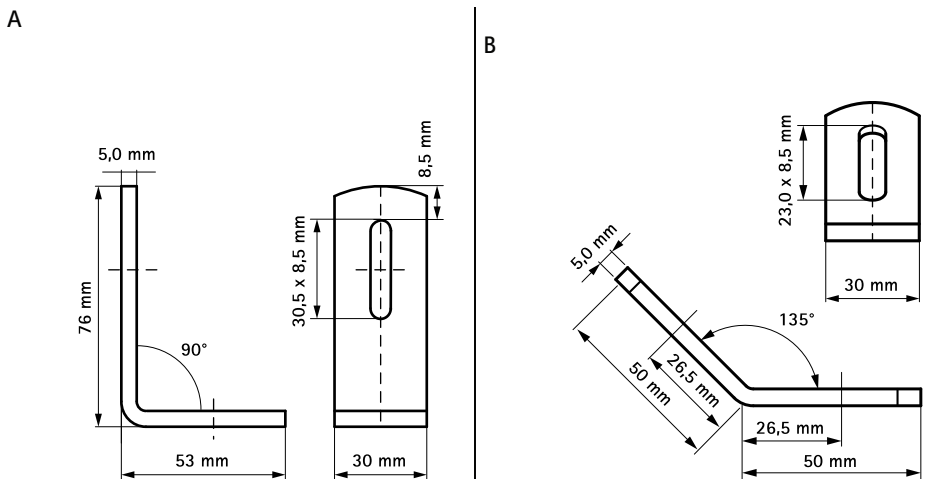
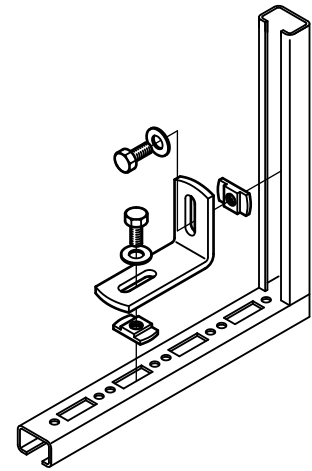
to make Walraven RapidRail® fabrications



Features and Benefits

- to make rail fabrications
- suitable for rail 27x18, 30x15, 30x20, 30x30, 30x45, 38x40
- material: steel
- zinc plated

| Part No. | a (°) | For Rail | Pack 1 |
|-----------|----------|--|--------|
| A 6585090 | 90° | 27x18, 30x15, 30x20, 30x30, 30x45, 38x40 | 50 |
| B 6585135 | 135° | 27x18, 30x15, 30x20, 30x30, 30x45, 38x40 | 50 |



Complementary
Walraven RapidRail® Fixing Rail

Alternative
Walraven RapidRail® Connector 90°