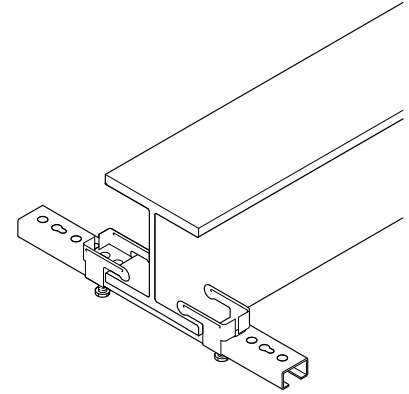
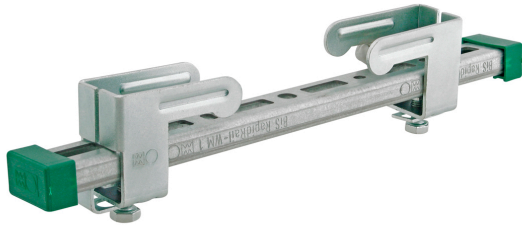


Walraven Rail 30x15 'Light Duty' Set

(G 40 35)

fixing to steel beam up to flange 20 mm



Features and Benefits

- for suspension of light components like cable trays, duct work, etc. onto beams without welding or drilling
- up to flange thickness 20 mm
- material: beam clamp made of steel; rail made of steel 1.0242
- beam clamp also available loose
- beam clamp: zinc plated; rail: pre-galvanized
- consists of:
 - 1 length of rail 30x15 mm
 - 2 Beam clamps 30x15 (Part No. 6071000)
 - 2 Rail End Caps

Part No.	A (mm)	L	From Rail	CSTB	Pack 1
6071400	< 20	400 mm	30x15	CSTB	20
6071600	< 20	600 mm	30x15	CSTB	15



Rapport de test n°EEM11 26035356

