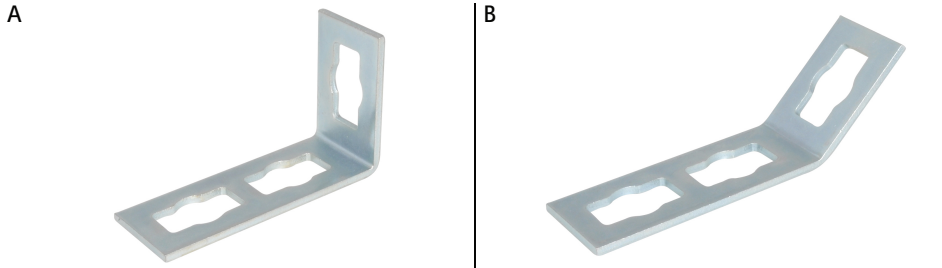


Walraven PushStrut Connector Flat

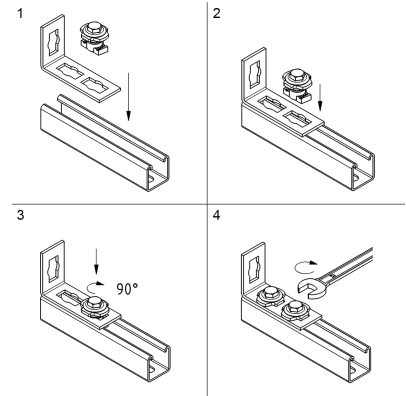
(H 29 10)

for easy installation of complex rail constructions

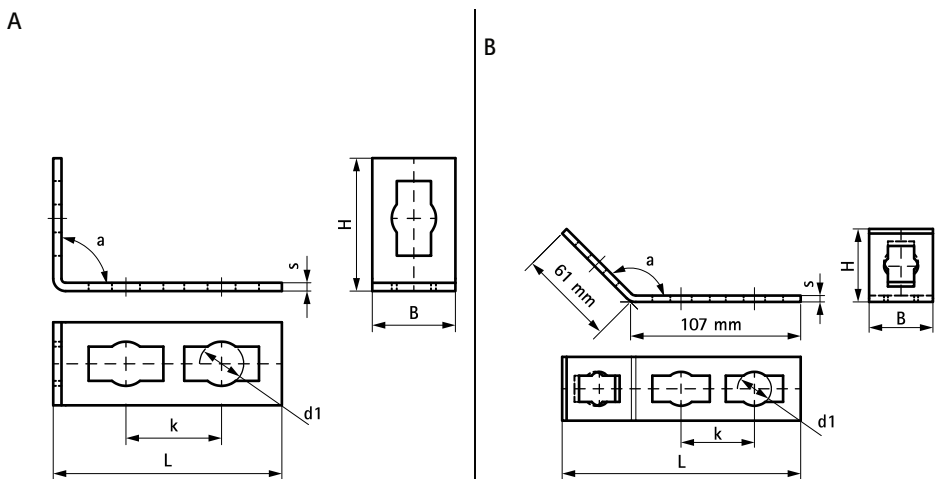
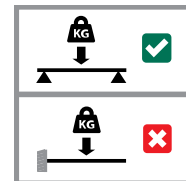


Features and Benefits

- easily combined with all common Strut profiles
- quick and easy to install
- closure button allows a force fit connection
- timesaving and flexible
- easy to remove and reusable
- 3D constructions due to 3D Connectors
- material: steel
- zinc plated



Part No.	L	B	H	s	d1	k	a	Pack 1
		(mm)	(mm)	(mm)	(mm)	(mm)	(°)	
A 6594001	110 mm	40	64	4.0	21	46	90°	25
B 6594005	150 mm	40	46	4.0	21	46	135°	25



Complementary
Walraven PushStrut Button