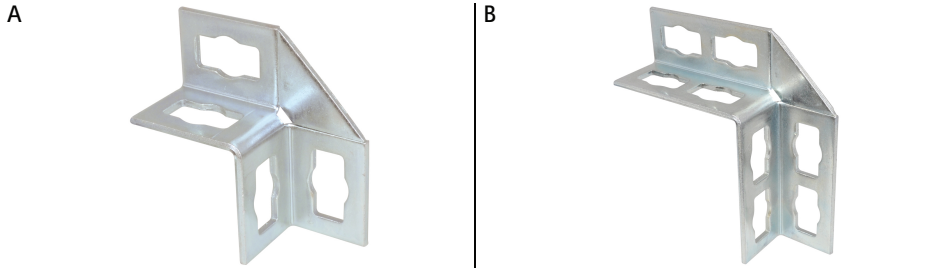


BIS PushStrut Connector 90°

(H 29 20)

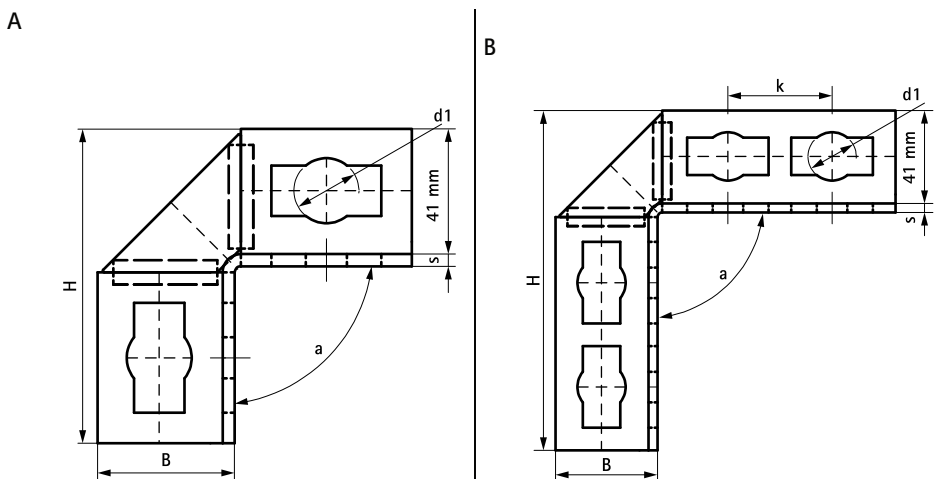
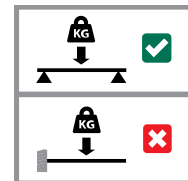
for easy installation of complex rail constructions



Features and Benefits

- easily combined with all common Strut profiles
- lateral edges offers great stability
- flexible use of hole pattern (flexible twist of hole pattern possible)
- timesaving and flexible
- easy to remove and reusable
- 3D constructions due to 3D Connectors
- material: steel
- zinc plated

Part No.	Model	B (mm)	H (mm)	s (mm)	d1 (mm)	k (mm)	a (°)	Pack 1
A 6594010	2-2	45	103	4.0	21	-	90	10
B 6594015	4-4	45	150	4.0	21	46	90	10



Complementary
Walraven PushStrut Button