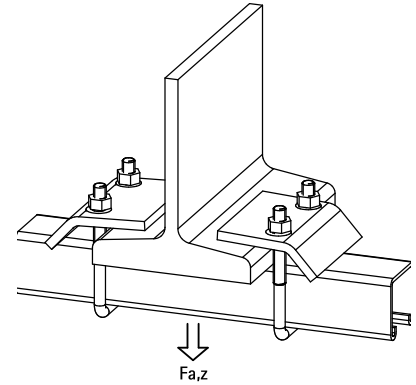


Walraven Strut Rail Beam Clamp

(H 36 05)

to make Strut rail fabrications

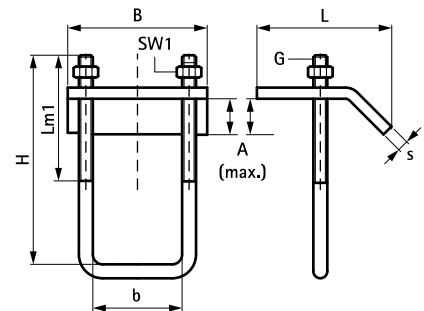


Features and Benefits

- for a solid fixing to steel construction
- material: steel 1.0332
- without the need for welding or drilling
- hot dip galvanized
- always use 2 beam clamps per fixing

| Part No. | A (mm) | G | L | B (mm) | H (mm) | b (mm) | s (mm) | Lm1 (mm) | SW1 (mm) | T _{inst} (Nm) | For Rail | F _{a,z} (N) | Pack 1 |
|----------|-----------|-----|-------|-----------|-----------|-----------|-----------|-------------|-------------|---------------------------|---|-------------------------|--------|
| 66581711 | 17.5 | M10 | 69 mm | 80 | 90 | | 5.5 | 60 | 17 | 15 | Strut 41x21 + 41x41 + 41x21D | 5,700 | 25 |
| 66581721 | 20.0 | M10 | 69 mm | 80 | 130 | 44 | 6.0 | 75 | 17 | 15 | Strut 41x62 + 41x82 + 41x41D + DS 5 (41 x 51) | 5,700 | 25 |

Also available in stainless steel 1.4401 (AISI 316).



Complementary

Walraven RapidStrut® Channel (BUP1000)
Walraven RapidStrut® Channel DS 5 (BUP1000)

Alternative

Walraven Strut 'Heavy Duty' Beam Clamp
Walraven Strut 41x21D 'Heavy Duty' Set