

Walraven Adjustable Support Bracket

(H 12 42)

support bracket fastener for height adjustable rail installation

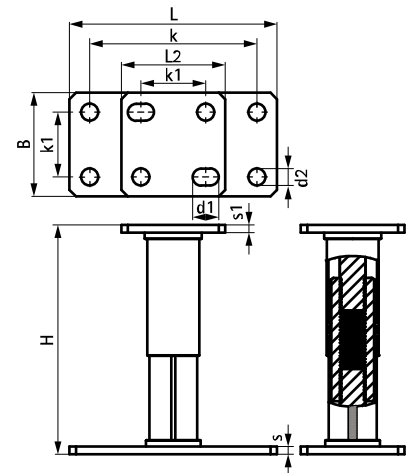


Features and Benefits

- height adjustment range 135mm to 210mm also in installed state (left/right thread)
- suitable for all Strut rails (advised to use open side down for flexibility to meet the holes)
- use up to class 1-2 according to Eurocode 5 (indoor and covered outdoor area without weather influences)
- material: metal parts made of steel S235JR; protection cover made of plastic, grey
- zinc plated (Zn-Fe zinc / iron coating)

Part No.	L	L2	B	H	s	s1	d1	d2	k	k1	Pack 1
		(mm)	(mm)	(mm)	(mm)	(mm)	(mm)	(mm)	(mm)	(mm)	
66583810	160 mm	80	80	135-200	6.0	6.0	20 x 13	Ø 13.0	129	50	6

*For a detailed calculation and for support how to spread the load please contact Walraven Technical Support.
In cases where a foot is used in roof applications, the installer is obliged to verify maximum load capacity of roof before installation.*



Complementary

Walraven RapidStrut® Slide Nut with Plastic Tabs (zp)
WTB1 Throughbolt Anchor