

WRX Plastic Plug

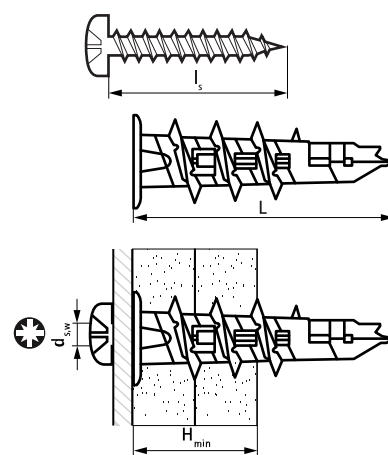
plastic self-drilling anchor

(L 07 35)



Features and Benefits

- self-drilling
- back twist lock allows screw removal without movement of the plug
- sharp tip allows accurate positioning and installation
- Application:
 - interior decorations
 - electrical fittings
- material: PA (polyamide) with fiber-glass reinforcement
- substrate type:
 - plasterboard



Part No.	Code	L	d _{s,w} (mm)	l _s (mm)	h _{min} (mm)	Drive	Rec. Tension Load Plasterboard (h=12.5mm) (kN)	Pack 1	Pack 2
6229904	WRX PP 14x32	32 mm	4.5	30	12.5	PZ2	0.09	100	2,400

Given recommended loads include a safety factor of 3.