

WEP Expansion Plug

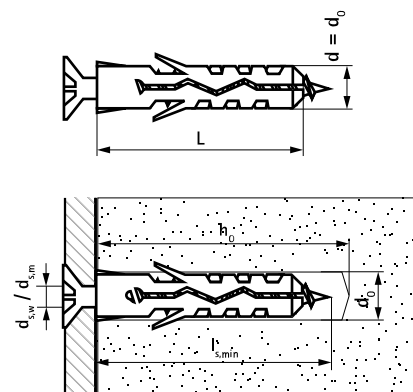
(L 07 20)

economical expansion anchor for all types of substrates



Features and Benefits

- can be used with wood screws, chipboard screws and metric bolts
- suitable for solid substrates
- does not expand prematurely
- resists rotation in holes
- Application:
 - shelves
 - wall-mounted cabinets
 - sanitary fixings
 - HVAC and plumbing fixings
- material: high quality PA6 polyamide
- substrate type:
 - lightweight concrete
 - concrete
 - masonry
 - hollow masonry
 - rock
 - sand-lime bricks
 - natural stone
 - gypsum



Part No.	Code	L	d ₀	h ₀	d _{s,w}	d _{s,m}	l _{s,min}	Rec. Tension Load Solid Brick	Rec. Tension Load C20/25 Concrete	Rec. Tension Load Lightweight Concrete	Pack 1	Pack 2
								(kN)	(kN)	(kN)		
61001005	WEP 5x25	25 mm	5	35	2.6 - 4.0	M3	29	0.20	0.35	0.04	100	3,600
61001006	WEP 6x30	30 mm	6	40	3.5 - 5.0	M4	34	0.40	0.60	0.06	100	3,600
61001008	WEP 8x40	40 mm	8	55	4.5 - 6.0	M5	44	0.60	0.85	0.09	100	3,600
61001010	WEP 10x50	50 mm	10	65	6.0 - 8.0	M6	54	0.80	1.40	0.20	50	1,800
61001012	WEP 12x60	60 mm	12	80	8.0 - 10.0	M8	64	1.00	1.80	0.40	25	900
61001014	WEP 14x70	70 mm	14	90	10.0 - 12.0	M10	74	1.30	2.60	0.50	20	720

Given recommended tension loads have been reached using a maximum diameter wood screw and include a safety factor of 5.