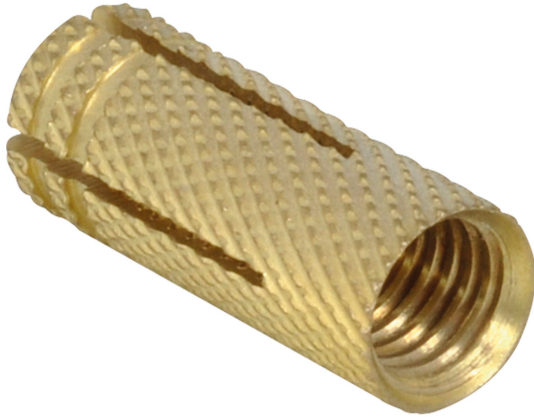


# WBA Brass Anchor

standard brass expansion anchor

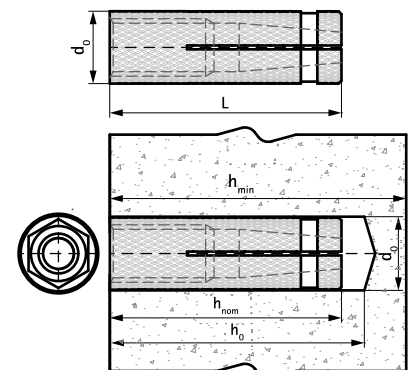
(L 03 30)



## Features and Benefits

- reduced anchor length requires less drilling
- for use with standard metric bolts and threaded rods
- does not require a setting tool
- knurled external surface provides improved grip and resists rotation in the hole
- corrosion resistant
- material: brass

Part No.	Code	Size	L	d <sub>0</sub> (mm)	h <sub>0</sub> (mm)	h <sub>min</sub> (mm)	h <sub>nom</sub> (mm)	Pack 1	Pack 2
6107006	WBA 6x22	M6	22 mm	8	≥ 27	100	≥ 22	100	1,600
6107008	WBA 8x28	M8	28 mm	10	≥ 32	100	≥ 28	100	1,600
6107010	WBA 10x32	M10	32 mm	12	≥ 35	100	≥ 32	100	800
6107012	WBA 12x38	M12	38 mm	15	≥ 40	100	≥ 38	50	400



### Complementary

WIS Brush  
WIS Blow Pump  
WDI1 SD Stop Drill Bit

### Complementary

WSDS+ 3CE Concrete Drill Bit