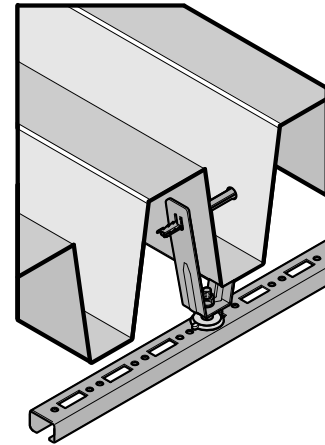


Rapid RTB

for ceilings

(J 30 25)

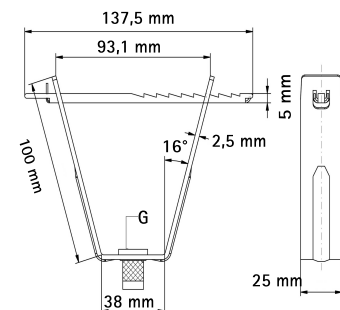


Features and Benefits

- for fixing to trapezium shaped roofing sheets
- material: steel
- minimum thickness roof sheet 0.63 mm
- quick fixing: one piece and elements cannot be lost
- for making a hole in the roof deck we recommend the use of the BIS Hole Punching Pliers (Part No. 692 0 012)
- pre-galvanized

Part No.	Code	G	F _{a,z} (N)	Pack 1
6781106	RTB 6	M6	1,500	50
6781108	RTB 8	M8	1,500	50
6781110	RTB 10	M10	1,500	50
6781013	RTB 13	Ø 13.0 mm	1,500	50

Maximum load (F_{a,z}) depends on the load capacity of the trapezium shaped roofing sheet. Before mounting, the roof load capacity has to be confirmed by a structural engineer.



Complementary

- Walraven Stud Bolt
- Walraven Threaded Rod
- BIS Hole Punching Plier