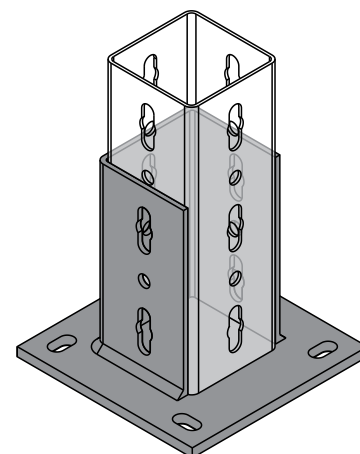
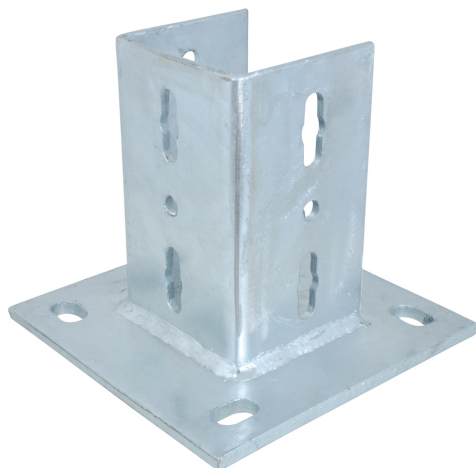


## Maxx Wall Plate

(H2 05 10)

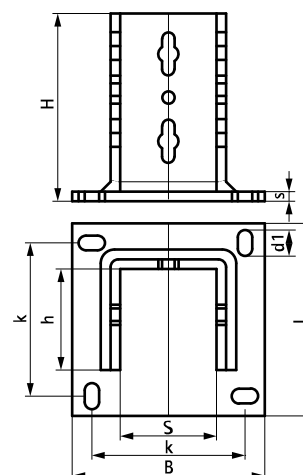
for fixing profiles to wall or floor



### Features and Benefits

- U-profile welded on wall plate
- for fixing rail to wall or floor
- allows fixing for cantilever arms with Maxx Heavy Rail Profile
- slots are compatible with mounting profiles
- CO<sub>2</sub> welded
- material: steel
- hot dip galvanized

Part No.	Type	L	B	H	h	s	d1	S	k	Weight	Pack 1
			(mm)	(mm)	(mm)	(mm)	(mm)	(mm)	(mm)	(kg)	
6581800	IPH 100	220 mm	220	195	100	10.0	30 x 18	103	159	5,68	1
6581801	IPH 120	220 mm	220	195	115	10.0	30 x 18	103	159	5,70	1



### Complementary

Maxx Heavy Rail Profile  
Maxx Hammerfix