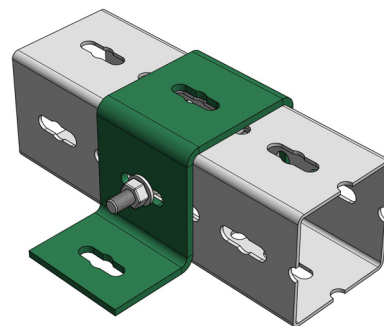
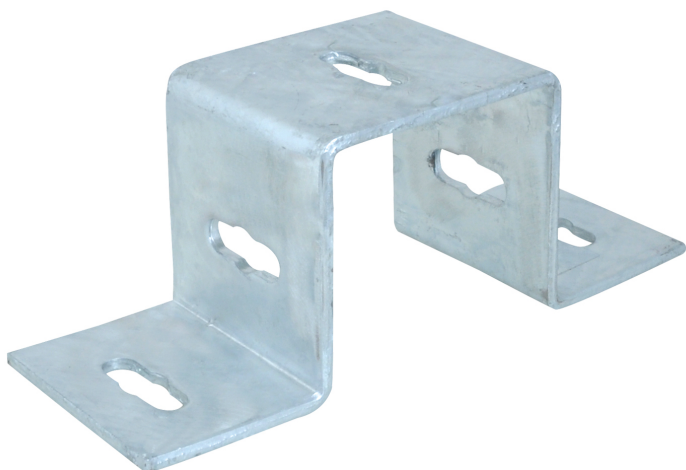


# Maxx Cross Connector

for cross connecting profiles

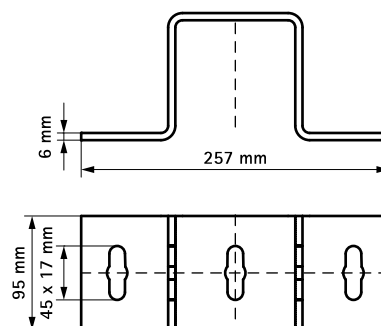
(H2 05 50)



## Features and Benefits

- to aid fabrication with Heavy Rail Profiles
- material: steel
- hot dip galvanized

Part No.	Type	Pack 1
6589101	IPCC100	1



**Complementary**  
 Maxx Heavy Rail Profile  
 Maxx Hammerfix