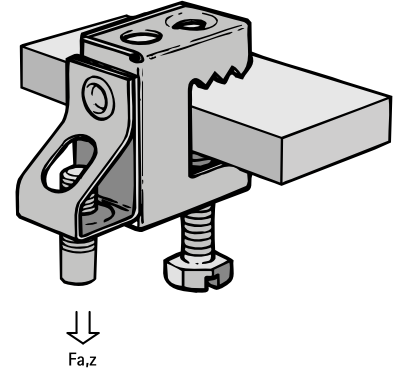
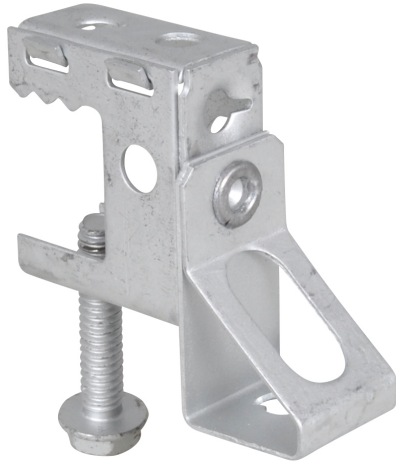


Britclips® SB ICT

for flange 2 - 17 mm

(J 15 25)

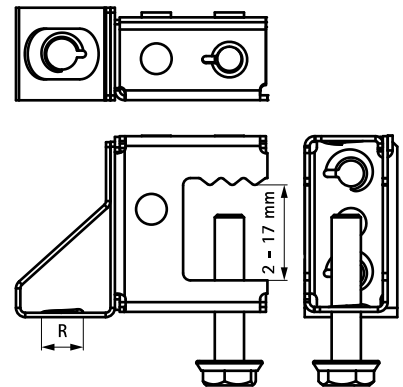


Features and Benefits

- for a solid fixing to steel construction without the need for welding or drilling
- with threaded rod holder (rod height adjustable by screwing)
- material: spring steel (type C67S according to EN10132)
- surface treatment: Delta-Tone 9000 (480 hours)

Part No.	Code	R	F _{a,z} (N)	Pack 1	Pack 2
53420617	SB17 ICTM6	M6	550	25	100

For use with static loads only.



Complementary

Walraven Stud Bolt
Walraven Threaded Rod

Alternative

Britclips® Tiger