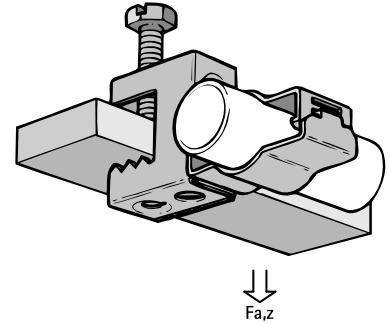
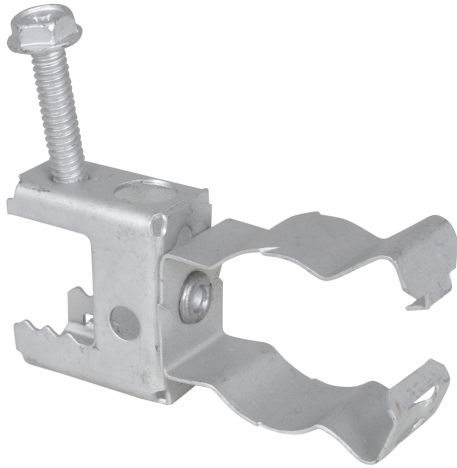


Britclips® SB ICCS

for flange 2 - 17 mm

(J 15 20)



Features and Benefits

- suitable for pipe or cable fixing horizontal, vertical or crossed with respect to the flange
- conduit clip swivels 360°
- conduit clip with jaw locking (use pliers to lock)
- material: spring steel (type C67S according to EN10132)
- surface treatment: Delta-Tone 9000 (480 hours)

Part No.	Code	D (mm)	F _{a,z} (N)	Pack 1	Pack 2
53122617	SB17 ICCS26	23 - 25	450	50	200
<i>For use with static loads only.</i>					

