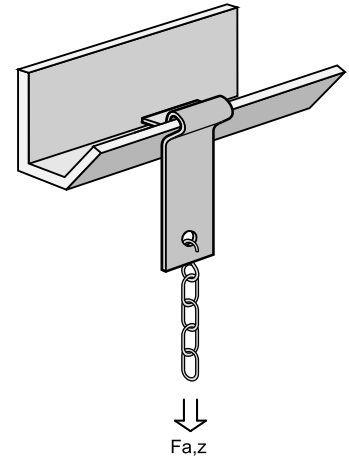
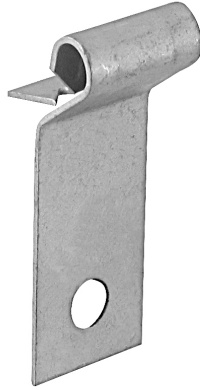


# Britclips® PHZ

for purlins 1 - 5 mm

(J 40 15)



## Features and Benefits

- hold fast 45°
- for fixing to purlins
- with fixing hole (Ø 6.5 mm) vertical to fix S-hook, bolt/nut, etc.
- material: spring steel (type C67S according to EN10132)
- surface treatment: Delta-Tone 9000 (480 hours)

Part No.	Code	A (mm)	d1 (mm)	F <sub>a,z</sub> (N)	Pack 1	Pack 2
57020105	PHZ	1 - 5	6.5	600	100	500

*For use with static loads only.*

