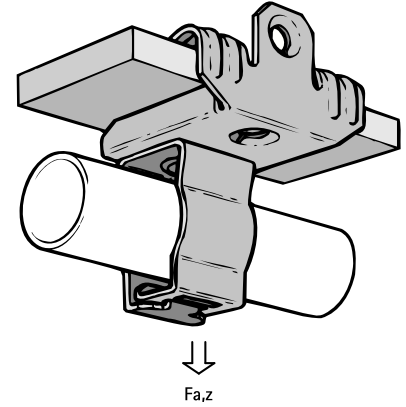


# Britclips® FU ICC

for flange 3 - 20 mm

(J 10 15)



## Features and Benefits

- for a solid fixing under flanges without welding or drilling
- suitable for pipe or cable fixing horizontal, vertical or crossed with respect to the flange
- conduit clip swivels 360°
- conduit clip with jaw locking (use pliers to lock)
- material: spring steel (type C67S according to EN10132)
- surface treatment: Delta-Tone 9000 (480 hours)

Part No.	Code	D (mm)	A (mm)	F <sub>a,z</sub> (N)	Pack 1	Pack 2
51121720	FU20 ICC17	12 - 16	14.0 - 20.0	250	50	200
51122407	FU7 ICC24	19 - 22	3.0 - 7.0	450	50	200
51122413	FU12,5 ICC24	19 - 22	8.0 - 12.5	450	50	200
51122420	FU20 ICC24	19 - 22	14.0 - 20.0	450	50	200
51122607	FU7 ICC26	23 - 25	3.0 - 7.0	450	50	200
51122613	FU12,5 ICC26	23 - 25	8.0 - 12.5	450	50	200
51122620	FU20 ICC26	23 - 25	14.0 - 20.0	450	50	200
51123207	FU7 ICC32	26 - 32	3.0 - 7.0	450	50	200
51123213	FU12,5 ICC32	26 - 32	8.0 - 12.5	450	50	200
51123220	FU20 ICC32	26 - 32	14.0 - 20.0	450	50	200
51124013	FU12,5 ICC40	33 - 40	8.0 - 12.5	450	50	200
51124020	FU20 ICC40	33 - 40	14.0 - 20.0	450	50	200

For use with static loads only.

