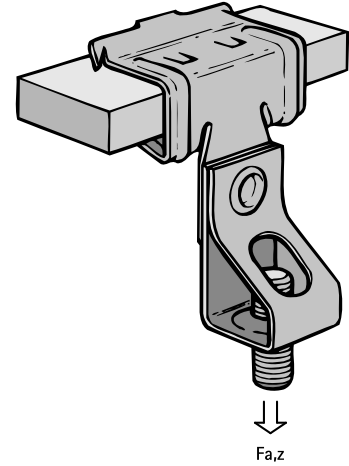


Britclips® FC ICT

for flange 2 - 30 mm

(J 05 45)

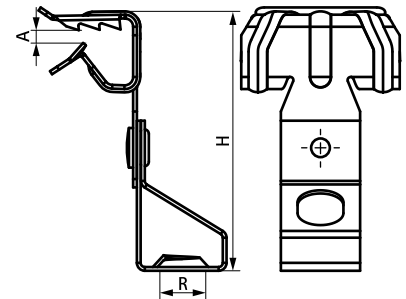


Features and Benefits

- for a solid fixing to steel construction without the need for welding or drilling
- with threaded rod holder (rod height adjustable by screwing)
- material: spring steel (type C67S according to EN10132)
- surface treatment: Delta-Tone 9000 (480 hours)

Part No.	Code	A (mm)	R	H (mm)	F _{a,z} (N)	Pack 1	Pack 2
50420609	FC8 ICTM6	4 - 8	M6	51	650	100	400
50420809	FC8 ICTM8	4 - 8	M8	51	700	100	400
50420616	FC14 ICTM6	8 - 14	M6	56	650	100	400
50420816	FC14 ICTM8	8 - 14	M8	56	700	100	400
50420620	FC20 ICTM6	14 - 20	M6	63	650	100	400

For use with static loads only.



Complementary
Walraven Stud Bolt
Walraven Threaded Rod

Alternative
Britclips® Tiger