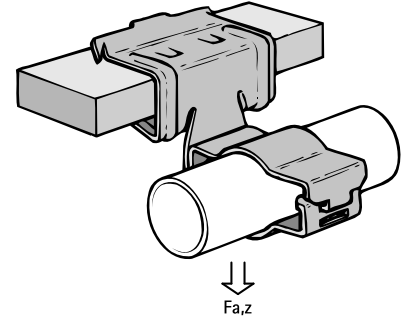


# Britclips® FC ICC

for flange 2 - 30 mm

(J 05 20)



## Features and Benefits

- for a solid fixing to steel construction without the need for welding or drilling
- suitable for pipe or cable fixing horizontal, vertical or crossed with respect to the flange
- conduit clip swivels 360°
- conduit clip with jaw locking (use pliers to lock)
- material: spring steel (type C67S according to EN10132)
- surface treatment: Delta-Tone 9000 (480 hours)

Part No.	Code	D (mm)	A (mm)	h (mm)	F <sub>a,z</sub> (N)	Pack 1	Pack 2
50121709	FC8 ICC17	11 - 17	4 - 8	39	250	50	200
50121716	FC14 ICC17	11 - 17	8 - 14	41	250	50	200
50121720	FC20 ICC17	11 - 17	14 - 20	47	250	50	200
50122404	FC4 ICC24	18 - 24	2 - 4	27	450	50	200
50122409	FC8 ICC24	18 - 24	4 - 8	39	450	50	200
50122416	FC14 ICC24	18 - 24	8 - 14	41	450	50	200
50122420	FC20 ICC24	18 - 24	14 - 20	47	450	50	200
50122430	FC28 ICC24	18 - 24	20 - 28	56	450	50	200
50122609	FC8 ICC26	22 - 26	4 - 8	39	450	50	200
50122616	FC14 ICC26	22 - 26	8 - 14	41	450	50	200
50122620	FC20 ICC26	22 - 26	14 - 20	47	450	50	200
50122630	FC28 ICC26	22 - 26	20 - 28	56	450	50	200
50123209	FC8 ICC32	30 - 32	4 - 8	39	450	50	200
50123216	FC14 ICC32	30 - 32	8 - 14	41	450	50	200
50123220	FC20 ICC32	30 - 32	14 - 20	47	450	50	200
50123230	FC28 ICC32	30 - 32	20 - 28	56	450	50	200
50124016	FC14 ICC40	36 - 40	8 - 14	41	450	50	200
50124020	FC20 ICC40	36 - 40	14 - 20	47	450	50	100
50124030	FC28 ICC40	36 - 40	20 - 28	56	450	50	200

*For use with static loads only.*

