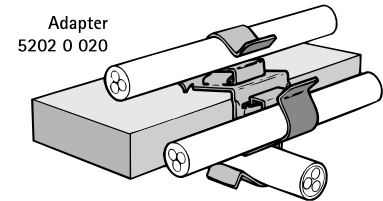
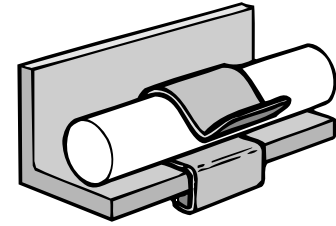


Britclips® PC Flange

for flange 2 - 7 mm

(J 20 05)

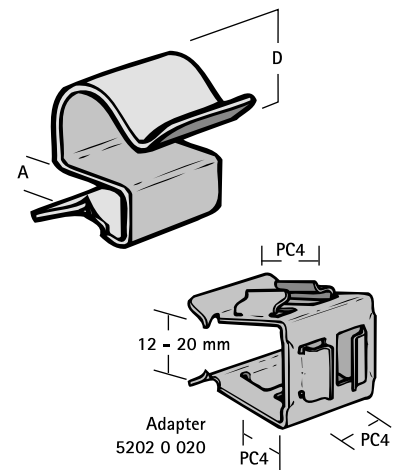


Features and Benefits

- for quick fixing of cables
- material: spring steel (type C67S according to EN10132)
- surface treatment: Delta-Tone 9000 (480 hours)

Part No.	Code	D (mm)	A (mm)	Pack 1	Pack 2
52020604	PC4 5,5	4.5 - 5.5	2 - 4	100	500
52020704	PC4 7	6.0 - 7.0	2 - 4	100	500
52020754	PC4 7-B	6.0 - 7.0	2 - 4	25	-
52020904	PC4 9	7.0 - 9.0	2 - 4	100	500
52020954	PC4 9-B	7.0 - 9.0	2 - 4	25	-
52021104	PC4 11	10.0 - 11.0	2 - 4	100	500
52021154	PC4 11-B	10.0 - 11.0	2 - 4	25	-
52021404	PC4 14	12.0 - 14.0	2 - 4	100	500
52021454	PC4 14-B	12.0 - 14.0	2 - 4	25	-
52021804	PC4 18	15.0 - 18.0	2 - 4	100	500
52021854	PC4 18-B	15.0 - 18.0	2 - 4	25	-
52022404	PC4 24	19.0 - 24.0	2 - 4	100	500
52022454	PC4 24-B	19.0 - 24.0	2 - 4	25	-
52023004	PC4 30	25.0 - 30.0	2 - 4	100	500
52023054	PC4 30-B	25.0 - 30.0	2 - 4	25	-
52020607	PC7 5,5	4.5 - 5.5	4 - 7	100	500
52020707	PC7 7	6.0 - 7.0	4 - 7	100	500
52020757	PC7 7-B	6.0 - 7.0	4 - 7	25	-
52020907	PC7 9	7.0 - 9.0	4 - 7	100	500
52020957	PC7 9-B	7.0 - 9.0	4 - 7	25	-
52021107	PC7 11	10.0 - 11.0	4 - 7	100	500
52021407	PC7 14	12.0 - 14.0	4 - 7	100	500
52021457	PC7 14-B	12.0 - 14.0	4 - 7	25	-
52021807	PC7 18	15.0 - 18.0	4 - 7	100	500
52021857	PC7 18-B	15.0 - 18.0	4 - 7	25	-
52022407	PC7 24	19.0 - 24.0	4 - 7	100	500
52022457	PC7 24-B	19.0 - 24.0	4 - 7	25	-
52023007	PC7 30	25.0 - 30.0	4 - 7	100	500
52023057	PC7 30-B	25.0 - 30.0	4 - 7	25	-

Articles with codes ending in a '-B' are packed in a plastic bag.
For use with static loads only.



Alternative
Britclips® GAM8