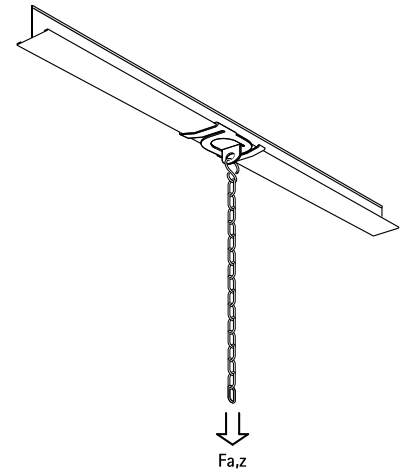


Britclips® ACHW / ACHZ

for ceiling grid 25 mm

(J 35 40)

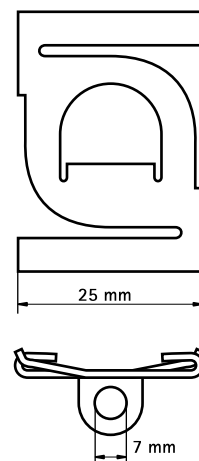


Features and Benefits

- twist on fixing
- for fixing to the ceiling grid
- with fixing hole (Ø 7,0 mm) to fix S-hook/nut, etc.
- material: spring steel (type C67S according to EN10132)

Part No.	Code	d1 (mm)	F _{a,z} (N)	ST	Pack 1	Pack 2
56090025	ACHW	7.0	220	epoxy-coated (white)	100	500
56030025	ACHZ	7.0	220	zinc plated	100	500

For use with static loads only.



Complementary
 BIS S-Hook
 BIS Chain (DIN 5685)