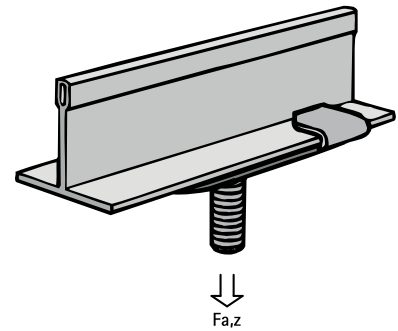
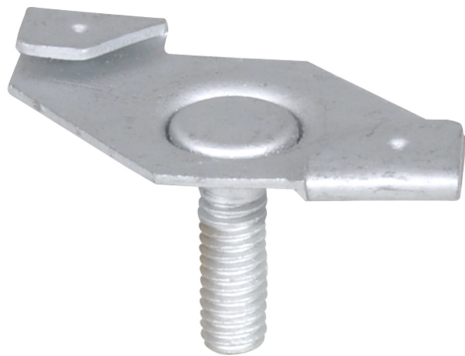


# Britclips® ACC25

for ceiling grid 25 mm

(J 35 10)



## Features and Benefits

- twist on fixing
- for fixing to the ceiling grid
- with stud bolt M6 (length see table) for fixing of clamp, conduit junction box, etc.
- surface treatment: Delta-Tone 9000 (480 hours)
- material: spring steel (type C67S according to EN10132)

Part No.	Code	G	F <sub>a,z</sub> (N)	Pack 1	Pack 2
56521101	ACC25 M6x11	M6 x 11 mm	220	100	400
56521601	ACC25 M6x16	M6 x 16 mm	220	100	400
56522501	ACC25 M6x25	M6 x 25 mm	220	100	400

*For use with static loads only.*

