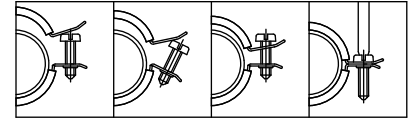


BISMAT[®] 2000 'S'

(A 05 36)

for steam pipes 73 - 168 mm

M8/10

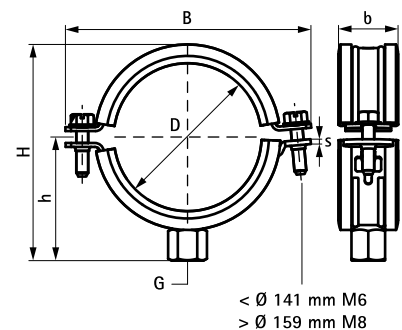


Features and Benefits

- two-screw clamp
- with BISMAT[®] quick locking system
- clamp easy to close with one hand
- from Ø 159 mm: with quick locking system
- material: steel
- zinc plated
- noise insulating lining of silicone rubber, reddish brown, heat resistant up to 210 °C
- age resistant lining
- sound insulating lining according DIN 4109
- tested for fire safety



Part No.	D (mm)	D (")	DN	G	B (mm)	H (mm)	h (mm)	b x s (mm)	F _{a,z} (N)	Pack 1
3404080	73 - 80	2 1/2	65	M8/10	126	109	61	23 x 2.00	930	50
3404091	83 - 91	3	80	M8/10	137	121	67	25 x 2.50	930	25
3404114	108 - 114	4	100	M8/10	160	141	79	25 x 2.50	930	25
3404141	133 - 141	5	125	M8/10	189	170	92	25 x 2.50	930	25
3404168	159 - 168	6	150	M8/10	233	198	99	25 x 3.00	1,500	10



Complementary

Walraven RapidRail[®] Fixing System
Walraven Fixing Accessories