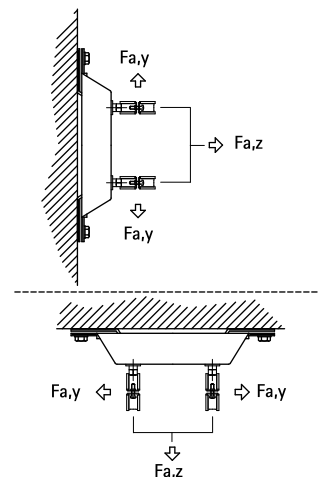
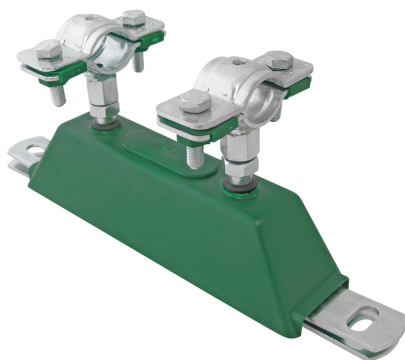


BIS dB-FiX[®] 80 Fixing Point Assembly Kit

(E 05 30)

for noise insulation fixing point 15 - 65 mm



Features and Benefits

- very stable
- material: steel
- zinc plated
- noise insulation by moulded EPDM rubber
- sound insulating lining according DIN 4109
- consists of:
 - 1 Fixing point assembly BIS dB-FiX[®] 80 (Part No. 669 3 008)
 - 2 Heavy Duty Clamps HD500

Part No.	D (mm)	D (°)	DN	H (mm)	h (mm)	F _{a,z} (N)	F _{a,y} (N)	Pack 1
2622010	15 - 19	3/8	10	108	93	3,000	2,700	-
2622015	19 - 23	1/2	15	112	95	3,000	2,700	-
2622020	25 - 30	3/4	20	119	98	3,000	2,700	-
2622025	31 - 36	1	25	131	109	3,000	2,700	-
2622032	40 - 45	1 1/4	32	140	114	3,000	2,700	-
2622040	47 - 52	1 1/2	40	147	118	3,000	2,700	-
2622050	59 - 65	2	50	160	123	3,000	2,700	-

