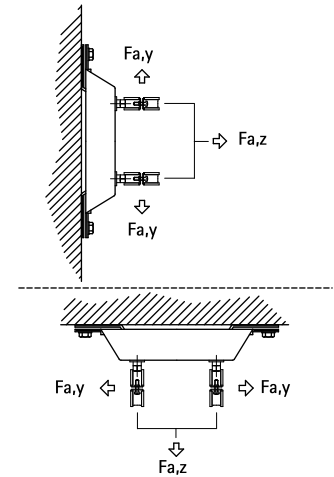


BIS dB-FiX[®] 200 Fixing Point Assembly Kit

(E 05 35)

for noise insulation fixing point 72 - 169 mm



Features and Benefits

- very stable
- material: steel
- zinc plated
- noise insulation by moulded EPDM rubber
- sound insulating lining according DIN 4109
- consists of:
 - 1 Fixing point assembly BIS dB-FiX[®] 200 (Part No. 669 3 020)
 - 2 Heavy Duty Clamps HD500

Part No.	D (mm)	D (°)	DN	H (mm)	h (mm)	F _{a,z} (N)	F _{a,y} (N)	Pack 1
2622065	72 - 78	2½	65	192	147	7,000	6,600	-
2622070	79 - 85	-	-	199	152	7,000	6,600	-
2622080	86 - 92	3	80	206	155	7,000	6,600	-
2622100	108 - 116	4	100	226	164	7,000	6,600	-
2622125	132 - 140	5	125	252	178	7,000	6,600	-
2622150	159 - 169	6	150	284	194	7,000	6,600	-

