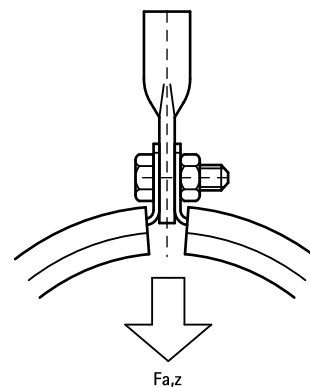


# BIS Suspension Eye

to make a suspension point

887

(K 45 10)



## Features and Benefits

- material: Zamak (zinc/aluminium alloy)

Part No.	G	L	F <sub>a,z</sub> (N)	Pack 1	Pack 2
6803706	M6	15 mm	2,170	50	500
6803708	M8	15 mm	2,270	50	500

