

BIS Strut T-Bracket

(H 12 50)

fixing to wall



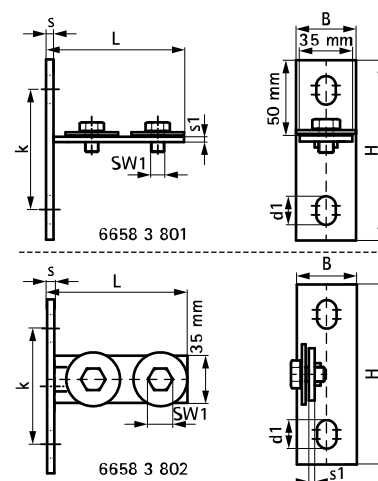
6658 3 801



6658 3 802

Features and Benefits

- for small spans in constructions with Strut Rail
- quick installation
- with pre-assembled screws and washers
- material: steel 1.0332



Part No.	Model	L	B	H	s	s1	d1	k	SW1	T _(max.)	For Rail	ST	Pack 1
		(mm)	(mm)	(mm)	(mm)	(mm)	(mm)	(mm)	(mm)	(Nm)			
66583801	Horizontal	104 mm	40	120	5.0	4.0	19 x 13	80	17	15.0	Strut 41x21 + 41x41 + 41x21D	zinc plated	25
66583802	Vertical	104 mm	40	120	5.0	4.0	19 x 13	80	17	15.0	Strut 41x21 + 41x41 + 41x21D	zinc plated	25