

BIS Strut Stainless Steel Tee-Bolt

(M 55 12)

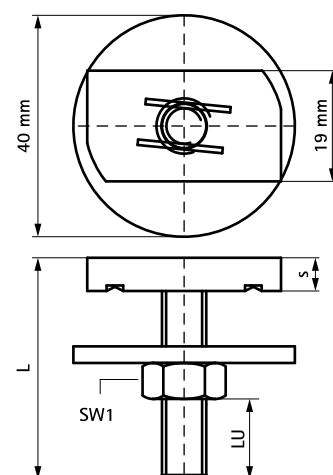
fixing to Strut rail



Features and Benefits

- slide nut with stud bolt and washer
- material: stainless steel
- M10 and M12 tested for fire safety according to EN 1363-1

| Part No. | G | L | LU (mm) | s (mm) | SW1 (mm) | For Rail | Pack 1 | Pack 2 |
|----------|-----|-------|------------|-----------|-------------|----------|--------|--------|
| 6527734 | M8 | 40 mm | 18.0 | 6.0 | 13 | Strut | 25 | 250 |
| 6527744 | M10 | 50 mm | 24.0 | 8.0 | 17 | Strut | 25 | 250 |
| 6527754 | M12 | 50 mm | 21.5 | 9.0 | 19 | Strut | 25 | 250 |



Complementary

Walraven RapidStrut® Stainless Steel Channel
Walraven RapidStrut® Stainless Steel Cantilever Arm