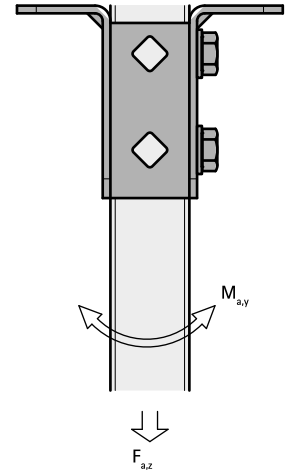


# BIS Strut Stainless Steel T-shape Base Plate

(M 53 10)

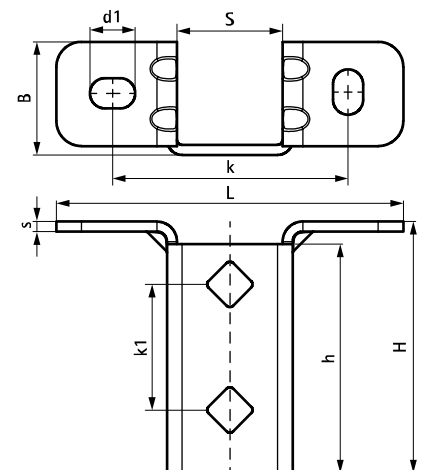


## Features and Benefits

- highly flexible base plate for Strut rails
- open side of the rail can be turned to all sides
- extra safety by reinforced bending
- hole pattern is adapted to the hole pattern of Strut rails
- material: stainless steel 1.4404 (A4) - EN 10088, AISI 316L

Part No.	L	B	H	h	s	d1	S	k	k1	F <sub>a,z</sub>	F <sub>a,z 2</sub>	M <sub>a,y</sub>	Pack 1
		(mm)	(mm)	(mm)	(mm)	(mm)	(mm)	(mm)	(mm)	(N)	(N)	(Nm)	
66587361	138 mm	45	100	91	4.0	18 x 12	42	95	50	3,636	3,636	164.0	10

*F<sub>a,z</sub>*: max. allowed load in combination with 2 slide nuts M10, tightened with 40 Nm.  
*F<sub>a,z 2</sub>*: max. allowed load in combination with 2 throughbolts M10, tightened with 40 Nm.  
*M<sub>a,y</sub>*: max. moment in combination with 2 throughbolts M10, tightened with 40 Nm.



### Complementary

- Walraven RapidStrut® Stainless Steel Channel
- Walraven RapidStrut® Stainless Steel Channel Double
- WTR1 Throughbolt Anchor SSt

### Complementary

- WD11 Drop-in Anchor SSt
- Walraven RapidStrut® Stainless Steel Slide Nut with Tabs