

BIS Strut Stainless Steel Slide Nut

(M 55 04)

fixing to Strut rail

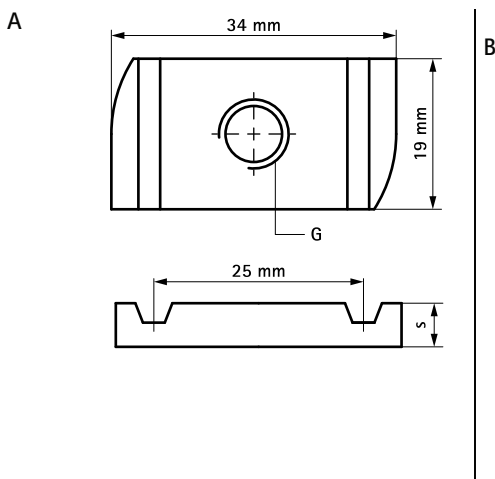


Features and Benefits

- for all types of Strut Rail
- for tight fixing of accessories (e.g. connectors) on rail
- material: stainless steel 1.4401 (AISI 316)
- M10 and M12 tested for fire safety according to EN 1363-1

Part No.	G	s (mm)	For Rail	F _{a,z} (N)	F _{a,x} (N)	Pack 1	Pack 2
A 6517706	M6	6.0	Strut	2,660	950	25	250
B 6517708	M8	6.0	Strut	4,500	2,200	25	250
C 6517710	M10	8.0	Strut	5,000	2,550	25	250
6517712	M12	9.0	Strut	5,000	2,950	25	250

Tested values in combination with BIS RapidStrut® Rail 41x41x2.5mm.
More details can be found on the Technical Datasheet.



Complementary

Walraven RapidStrut® Stainless Steel Channel
Walraven RapidStrut® Stainless Steel Cantilever Arm

Alternative

Walraven RapidStrut® Stainless Steel Slide Nut with Tabs